



VIVID ARCHITECTURAL LETTERING &
ILLUMINATED SIGNAGE

GLLS

UL E356699 : Signs Certified for US and Canada



V A L I S

- Custom Made with a 3-5 Week Lead Time
- Available in Pantone, NCS or RAL Colors
- Highest Grade Sourced Raw Materials
- Available for Interior & Exterior Use
- Static and Dynamic Color Engines
 - UL Listed, CE compliant
 - 3 Year Warranty



Stainless Steel, Aluminum, Brass,
Acrylic and various other materials
available

FAUX BULB



FACE: Brushed, Polished or Painted 304 Grade Stainless Steel or Electroplated Brass

SIDE AND BACK RETURNS: Brushed, Polished or Painted 304 Grade Stainless Steel, Painted Aluminum or Electroplated Brass

INSIDE OF LETTERS: Painted Glossy White or Colored.

LED's: CE/UL Certified Colored, White or RGB DC12V or 24V SMD LED Modules

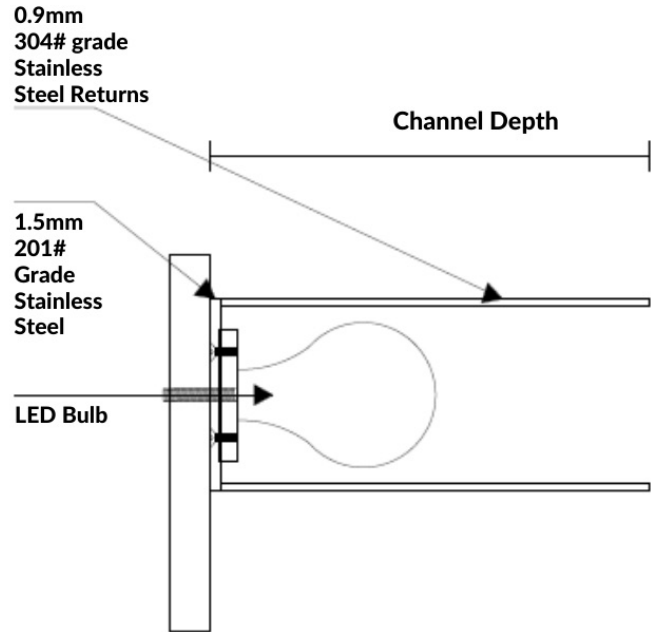
POWER: CE/UL Certified and Waterproof DC12V or 24V Transformer Power Supply

MOUNTING: Rear Screw Standoff Mounting Pins with 1:1 Paper Template Provided or Pre-Mounted to an Acrylic or Metal Backer

Please Inquire for other Custom Material

CHANNEL BULB LETTERS

WITH STAINLESS OR ALUMINUM RETURNS



Illumination	LED Bulbs
Surface Finish	Painted, Brushed or Electroplated
Returns Material	Stainless Steel, Aluminum or Brass
Min Stroke (W)	15mm
Min. Width	200mm
Max. Width	1000mm
Min. Height	200mm
Max. Height	1100mm
Min. Depth	50mm
Max. Depth	200mm

This specification is for reference purposes only, and adjustments will be made to accommodate the various shapes and sizes of the sign.

FAUX NEON



DIFFUSER: Rounded 12mm Frosted or Polished Clear Acrylic Top - with 3mm Colored or White Opal Acrylic Strip under the Diffuser

RETURNS: Painted or Brushed 304# Stainless Steel or Aluminum

LED's: Face lit with CE/UL certified waterproof (or non- waterproof for indoor use) Colored, White or RGB 12V or 24V LED Modules as Light Source

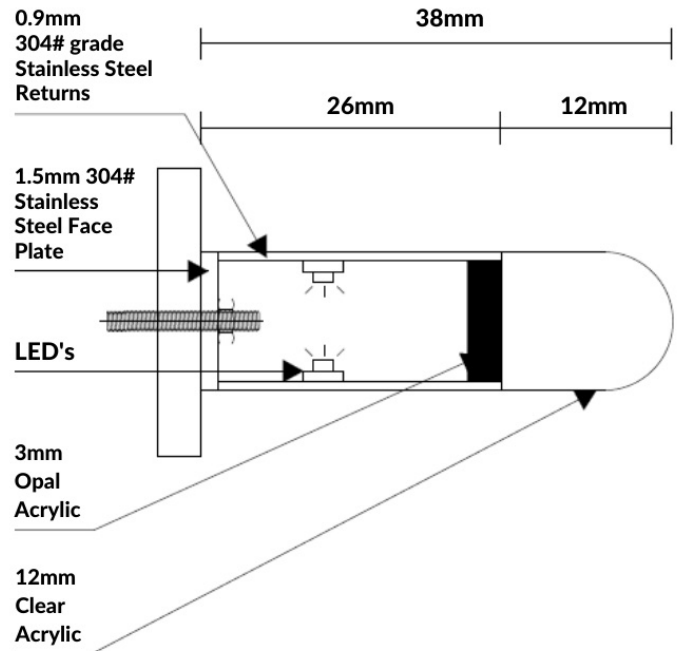
POWER: CE/UL Certified and Waterproof DC12V or 24V Meanwell Transformer Power Supply

MOUNTING: Rear Screw Stud Mounts with 1:1 Paper Template or Pre-Mounted to an Acrylic or Metal Backer with corner Standoff Pins

Please Inquire for other Custom Material

DUAL STROKE FAUX NEON

WITH ROUNDED ACRYLIC TOP AND METAL RETURNS



Illumination

SMD LEDs

Lit Surface Material

Frosted or Polished Clear Acrylic Diffuser

Returns Material

0.9mm 304# Stainless Steel or Aluminum

Min Stroke
Max Stroke

10mm
30mm

Min Height
Max Height

200mm
1200mm

Min Width
Max Width

200mm
1200mm

Min Depth
Max Depth

30mm
127mm

This specification is for reference purposes only, and adjustments will be made to accommodate the various shapes and sizes of the sign.

SOLID ACRYLIC



FACE AND SIDES: White or Colored Translucent Acrylic Front

BACK RETURNS: White, Colored or Painted Opaque Acrylic

LED's: Face and Side Lit with CE/UL Certified Waterproof (or non-waterproof for indoor use) Colored, Whites or RGB LED Modules as Light Source

POWER: CE/UL Certified and Waterproof DC12V or 24V Transformer Power Supply

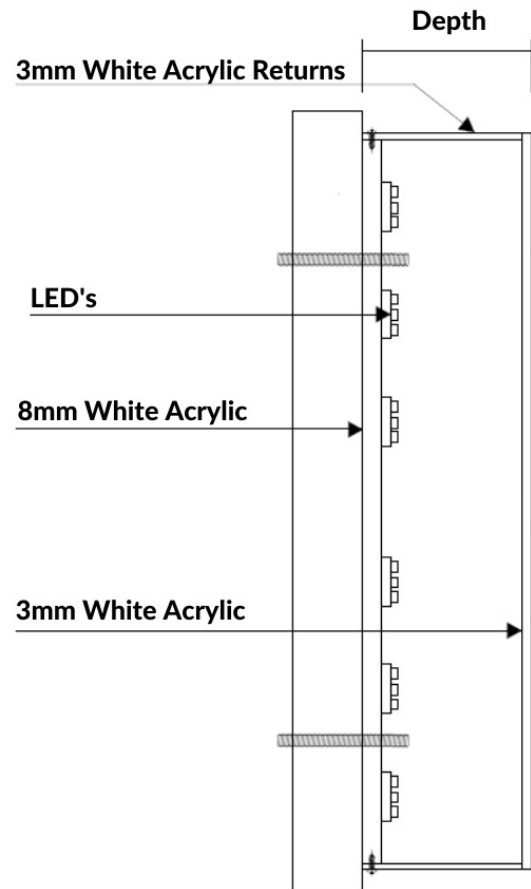
MOUNTING: Rear Screw Standoff Mounting Pins with 1:1 Paper Template Provided or Pre-Mounted to an Acrylic or Metal Backer

Inside of Letters Painted Glossy White or Colored.

Please Inquire for other Custom Materials

FACE & FULL SIDE LIT

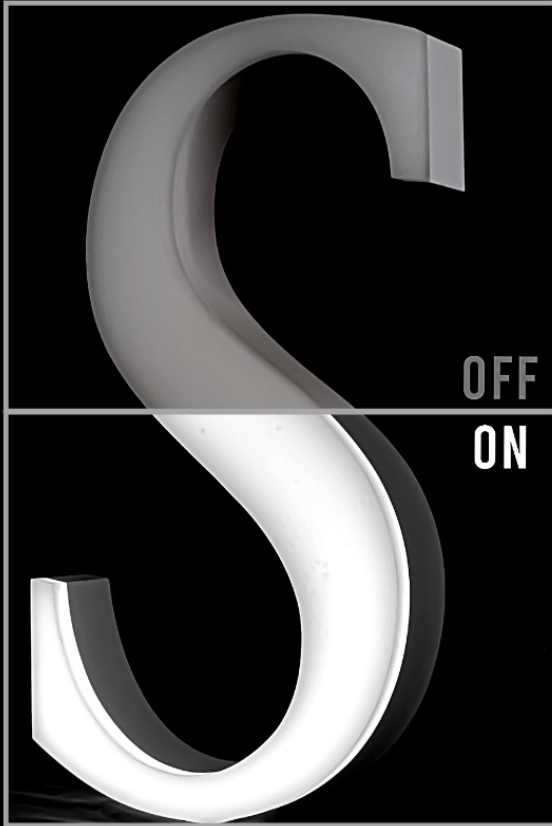
WITH OPAQUE ACRYLIC BACK



Illumination	Face & Side Lit SMD LEDs
Lit Surface Material	Colored or White Acrylic
Returns Material	Opaque Acrylic
Min Stroke (W)	20mm
Min Height	200mm
Max Height	1200mm
Min Width	200mm
Max Width	1200mm
Min Depth	60mm
Max Depth	150mm

This specification is for reference purposes only, and adjustments will be made to accommodate the various shapes and sizes of the sign.

STAINLESS SERIES



FACE: White or Colored Acrylic Front

SIDE AND BACK RETURNS: Brushed, Polished, Electroplated or Painted 304 Grade Stainless Steel.

LED's: Face lit with CE/UL Certified Waterproof (or non-waterproof for indoor use) Colored, Whites or RGB LED Modules as Light Source

POWER: CE/UL Certified and Waterproof DC12V or 24V Transformer Power Supply

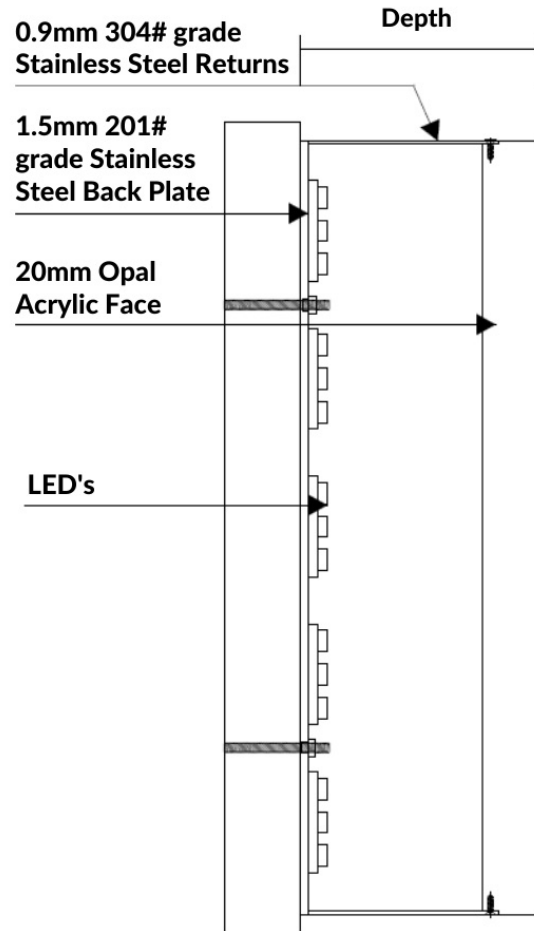
MOUNTING: Rear Screw Standoff Mounting Pins with 1:1 Paper Template Provided or Pre-Mounted to an Acrylic or Metal Backer

Inside of Letters Painted Glossy White or Colored.

Please Inquire for other Custom Materials

FACE & HALF SIDE LIT

WITH METAL RETURNS



Illumination	Face Lit SMD LEDs
Lit Surface Material	Colored or White Acrylic
Returns Material	304# Stainless Steel
Min Stroke (W)	12mm
Min Height	200mm
Max Height	1100mm
Min Width	100mm
Max Width	1000mm
Min Depth	50.8mm
Max Depth	127mm

This specification is for reference purposes only, and adjustments will be made to accommodate the various shapes and sizes of the sign.

SOLID ACRYLIC



FACE: White or Colored Translucent Acrylic

RETURNS: White, Colored or Painted Opaque Acrylic

LED's: Face lit with CE/UL Certified Waterproof (or non-waterproof for indoor use) Colored, Whites or RGB LED Modules as Light Source

POWER: CE/UL Certified and Waterproof DC12V or 24V Transformer Power Supply

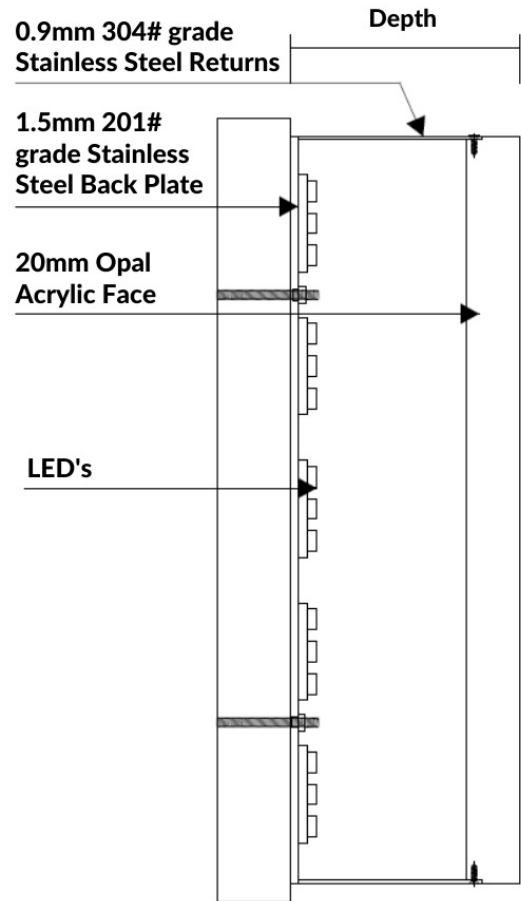
MOUNTING: Rear Screw Standoff Mounting Pins with 1:1 Paper Template Provided or Pre-Mounted to an Acrylic or Metal Backer

Inside of Letters Painted Glossy White or Colored.

Please Inquire for other Custom Materials

FACE & HALF-SIDE LIT

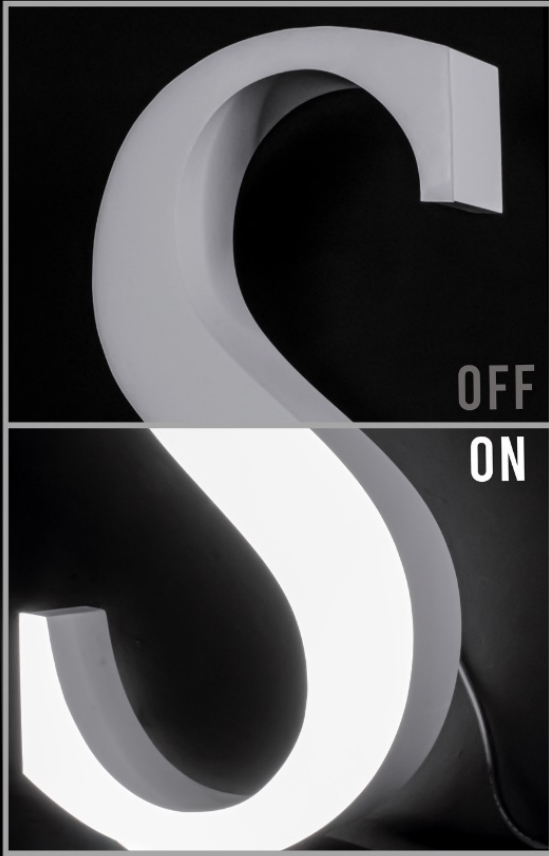
WITH OPAQUE ACRYLIC RETURNS



Illumination	Face Lit SMD LEDs
Lit Surface Material	Colored or White Translucent Acrylic
Returns Material	Opaque Acrylic
Min Stroke (W)	12mm
Min Height	200mm
Max Height	1100mm
Min Width	200mm
Max Width	1100mm
Min Depth	50.8mm
Max Depth	127mm

This specification is for reference purposes only, and adjustments will be made to accommodate the various shapes and sizes of the sign.

STAINLESS SERIES



FACE: White or Colored Acrylic Front

SIDE AND BACK RETURNS: Brushed, Polished, Electroplated or Painted 304 Grade Stainless Steel.

LED's: Face lit with CE/UL Certified Waterproof (or non-waterproof for indoor use) Colored, Whites or RGB LED Modules as Light Source

POWER: CE/UL Certified and Waterproof DC12V or 24V Transformer Power Supply

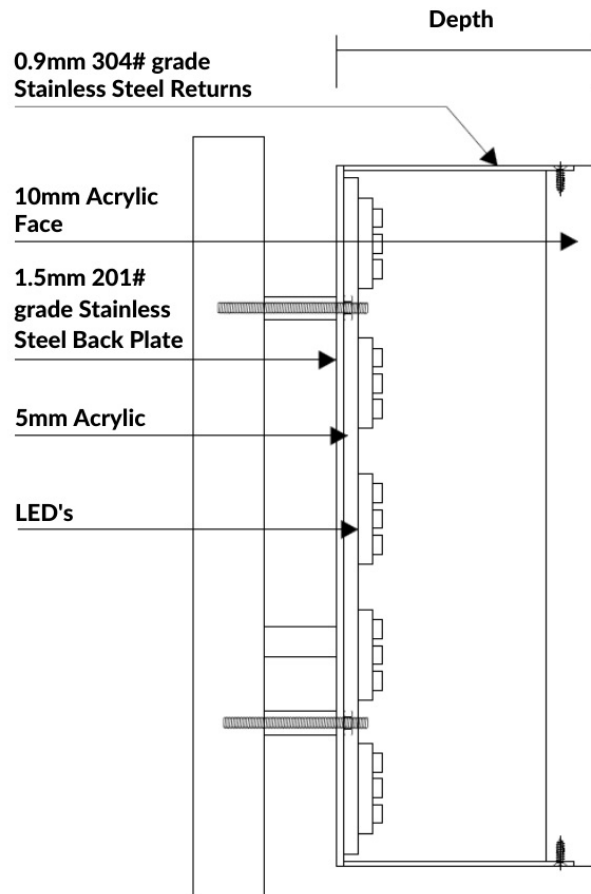
MOUNTING: Rear Screw Standoff Mounting Pins with 1:1 Paper Template Provided or Pre-Mounted to an Acrylic or Metal Backer

Inside of Letters Painted Glossy White or Colored.

Please Inquire for other Custom Materials

FACE & HALO LIT

WITH METAL RETURNS



Illumination	Face Lit SMD LEDs
Lit Surface Material	Colored or White Translucent Acrylic
Returns Material	304# Stainless Steel,
Min Stroke (W)	15mm
Min Height	150mm
Max Height	1000mm
Min Width	150mm
Max Width	900mm
Min Depth	25mm
Max Depth	30mm

This specification is for reference purposes only, and adjustments will be made to accommodate the various shapes and sizes of the sign.

SOLID ACRYLIC



FACE: White or Colored Translucent Acrylic Front

SIDE AND BACK RETURNS: White, Colored or Painted Opaque Acrylic

LED's: Face lit with CE/UL Certified Waterproof (or non-waterproof for indoor use) Colored, Whites or RGB LED Modules as Light Source

POWER: CE/UL Certified and Waterproof DC12V or 24V Transformer Power Supply

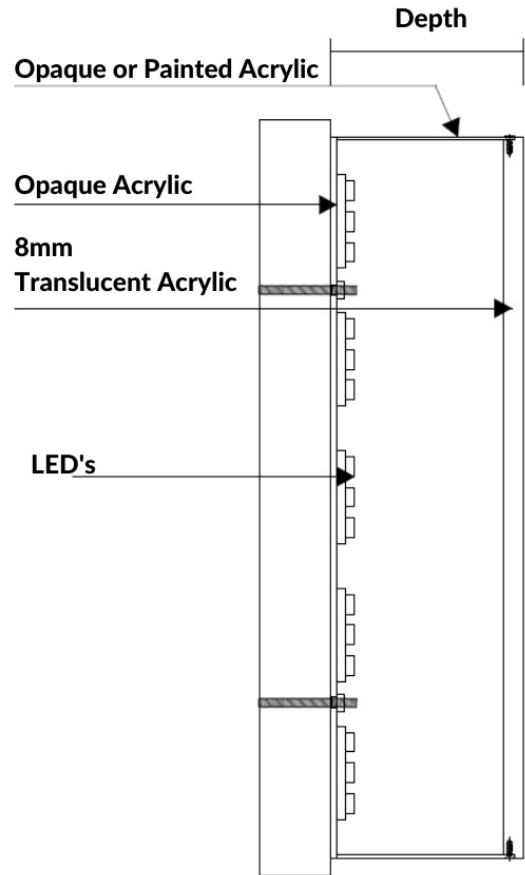
MOUNTING: Rear Screw Standoff Mounting Pins with 1:1 Paper Template Provided or Pre-Mounted to an Acrylic or Metal Backer

Inside of Letters Painted Glossy White or Colored

Please Inquire for other Custom Materials

FACE LIT

WITH OPAQUE ACRYLIC RETURNS



Illumination	Face Lit SMD LEDs
Lit Surface Material	Colored or White Translucent Acrylic
Returns Material	Opaque Acrylic
Min Stroke (W)	12mm
Min Height	200mm
Max Height	1200mm
Min Width	200mm
Max Width	1200mm
Min Depth	38.1mm
Max Depth	127mm

This specification is for reference purposes only, and adjustments will be made to accommodate the various shapes and sizes of the sign.

STAINLESS SERIES



FACE: White or Colored Acrylic Front

SIDE AND BACK RETURNS: Brushed, Polished, Electroplated or Painted 304 Grade Stainless Steel.

LED's: Face lit with CE/UL Certified Waterproof (or non-waterproof for indoor use) Colored, Whites or RGB LED Modules as Light Source

POWER: CE/UL Certified and Waterproof DC12V or 24V Transformer Power Supply

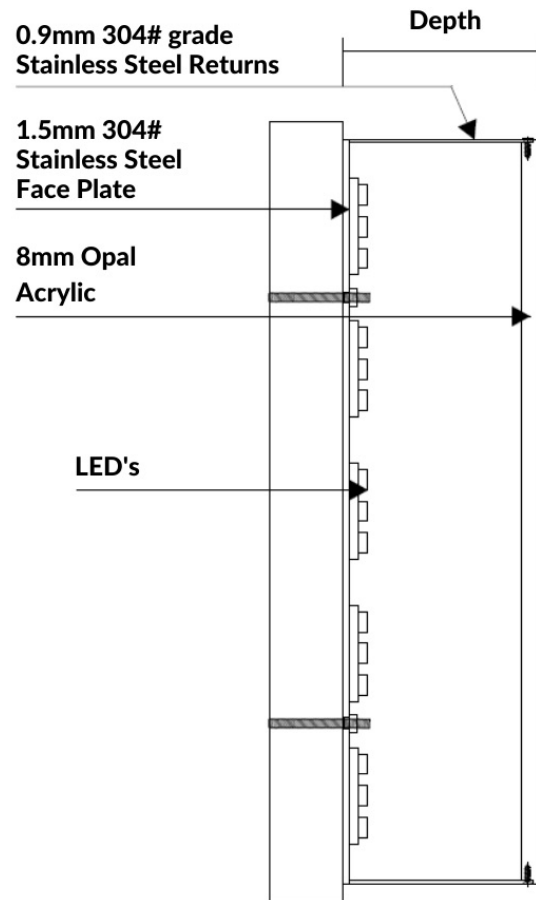
MOUNTING: Rear Screw Standoff Mounting Pins with 1:1 Paper Template Provided or Pre-Mounted to an Acrylic or Metal Backer

Inside of Letters Painted Glossy White or Colored

Please Inquire for other Custom Materials

FACE LIT

WITH METAL RETURNS



Illumination	Face Lit SMD LEDs
Lit Surface Material	Colored or White Translucent Acrylic
Returns Material	304# Stainless Steel
Min Stroke (W)	12mm
Min Height	100mm
Max Height	1000mm
Min Width	200mm
Max Width	1000mm
Min Depth	38.1mm
Max Depth	127mm

This specification is for reference purposes only, and adjustments will be made to accommodate the various shapes and sizes of the sign.

STAINLESS STEEL SERIES



FACE: Brushed, Polished or Painted 304 Grade Stainless Steel, Painted Aluminum or Electroplated Brass

SIDE RETURNS: Brushed, Polished or Painted 304 Grade Stainless Steel, Painted Aluminum or Electroplated Brass

INSIDE OF LETTERS: Painted Glossy White or Colored.

LED's: CE/UL Certified Colored, White or RGB DC12V or 24V SMD LED Modules

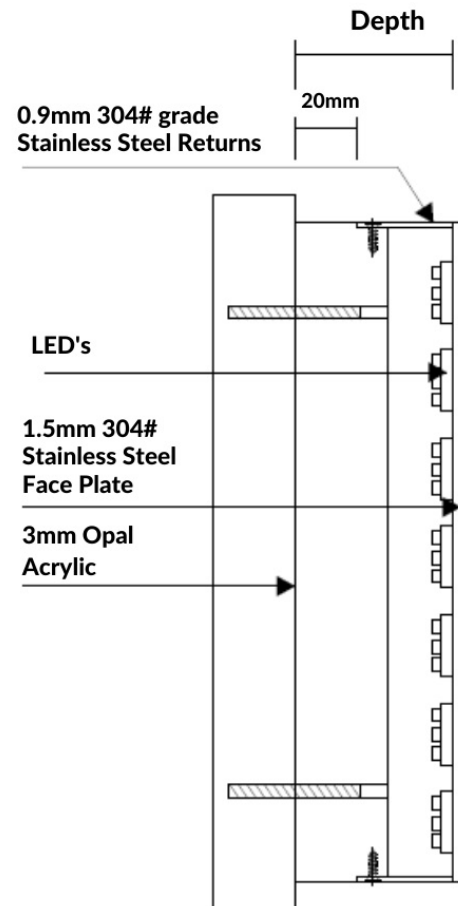
POWER: CE/UL Certified and Waterproof DC12V or 24V Transformer Power Supply

MOUNTING: Rear Screw Standoff Mounting Pins with 1:1 Paper Template Provided or Pre-Mounted to an Acrylic or Metal Backer

Please Inquire for other Custom Materials

HALF-SIDE LIT

WITH METAL RETURNS



Illumination

Halo and Half
Side Lit SMD
LEDs

Lit Surface Material

Colored or Opal
White Acrylic

Face Material and Returns

304# Stainless
Steel, Aluminum
or Brass

Min Stroke (W)

12mm

Min Height Max Height

200mm
1200mm

Min Width Max Width

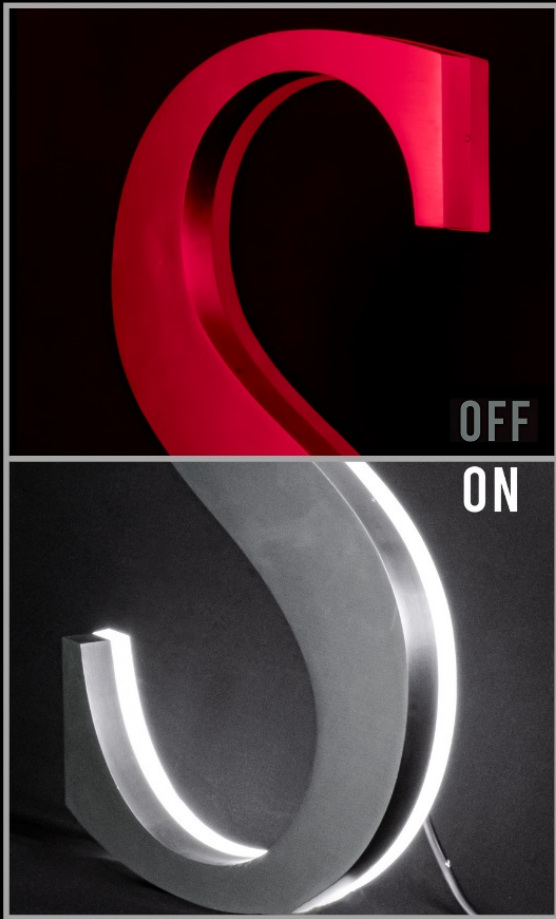
200mm
1200mm

Min Depth Max Depth

50mm
102mm

This specification is for reference purposes only, and adjustments will be made to accommodate the various shapes and sizes of the sign.

STAINLESS SERIES



FACE: Brushed, Polished or Painted 304 Grade Stainless Steel, Painted Aluminum or Electroplated Brass

SIDE RETURNS: Brushed, Polished or Painted 304 Grade Stainless Steel, Painted Aluminum or Electroplated Brass

INSIDE OF LETTERS: Painted Glossy White or Colored.

LED's: CE/UL Certified Colored, White or RGB DC12V or 24V SMD LED Modules

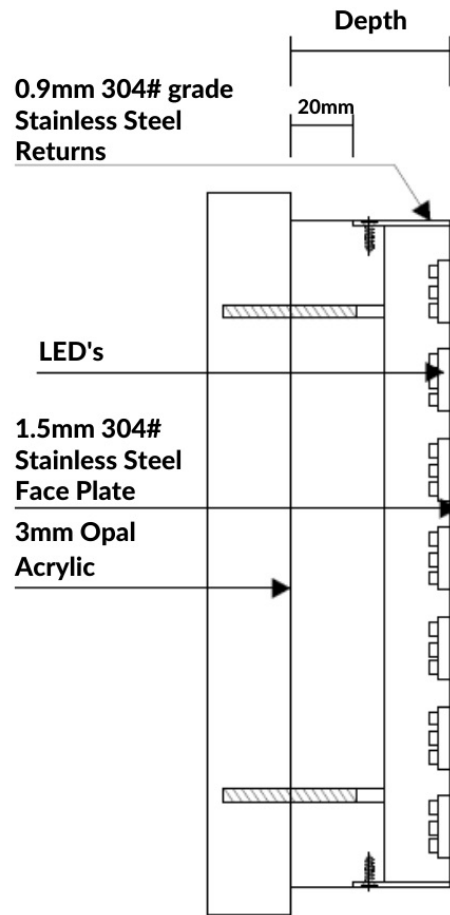
POWER: CE/UL Certified and Waterproof DC12V or 24V Transformer Power Supply

MOUNTING: Rear Screw Standoff Mounting Pins with 1:1 Paper Template Provided or Pre-Mounted to an Acrylic or Metal Backer

Please Inquire for other Custom Materials

HALO + HALF SIDE LIT

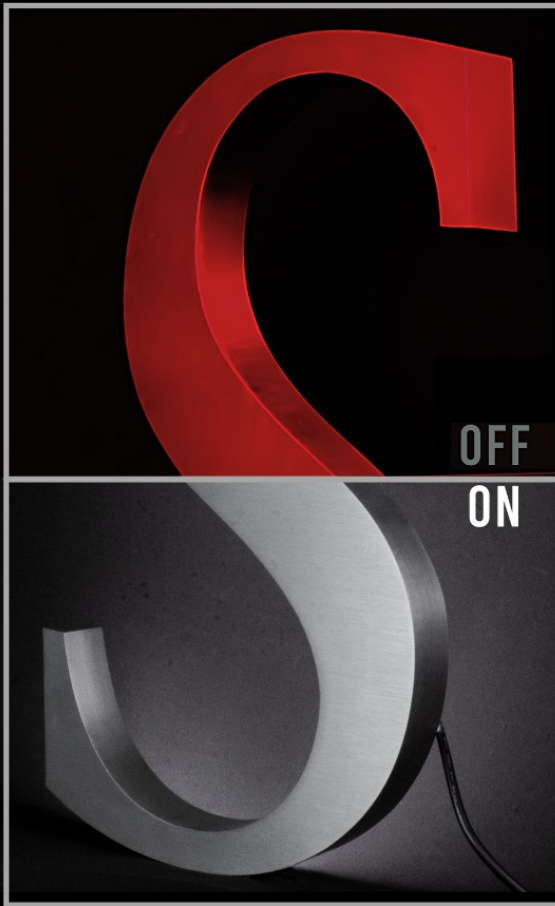
WITH METAL RETURNS



Illumination	Halo and Half Side Lit SMD LEDs
Lit Surface Material	Colored or Opal White Acrylic or Vinyl
Face Material and Returns	304# Stainless Steel, Aluminum or Brass
Min Stroke (W)	12mm
Min Height	200mm
Max Height	1200mm
Min Width	200mm
Max Width	1200mm
Min Depth	25mm
Max Depth	76mm

This specification is for reference purposes only, and adjustments will be made to accommodate the various shapes and sizes of the sign.

STAINLESS SERIES



FACE: Brushed, Polished or Painted 304 Grade Stainless Steel, Painted Aluminum or Electroplated Brass

SIDE AND BACK RETURNS: Brushed, Polished or Painted 304 Grade Stainless Steel, Painted Aluminum or Electroplated Brass

INSIDE OF LETTERS: Painted Glossy White or Colored.

LED's: CE/UL Certified Colored, White or RGB DC12V or 24V SMD LED Modules

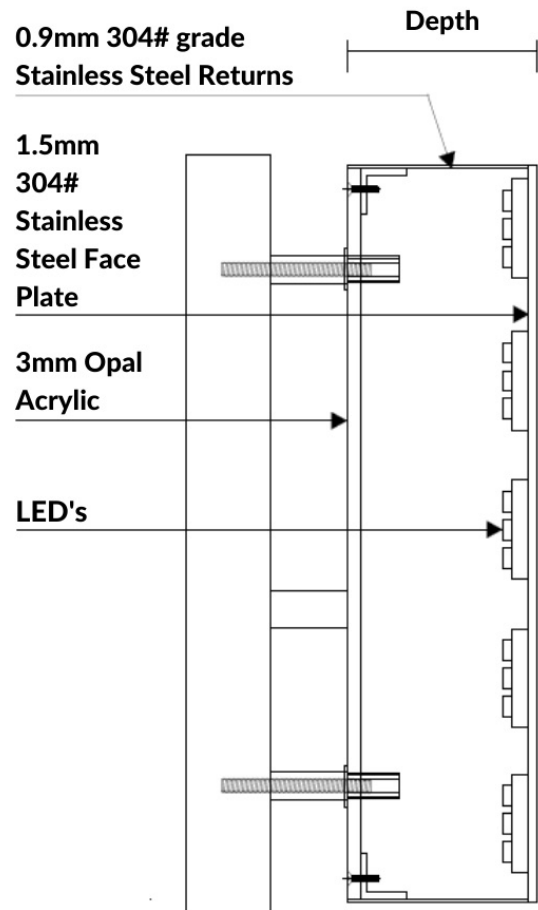
POWER: CE/UL Certified and Waterproof DC12V or 24V Transformer Power Supply

MOUNTING: Rear Screw Standoff Mounting Pins with 1:1 Paper Template Provided or Pre-Mounted to an Acrylic or Metal Backer

Please Inquire for other Custom Material

HALO LIT

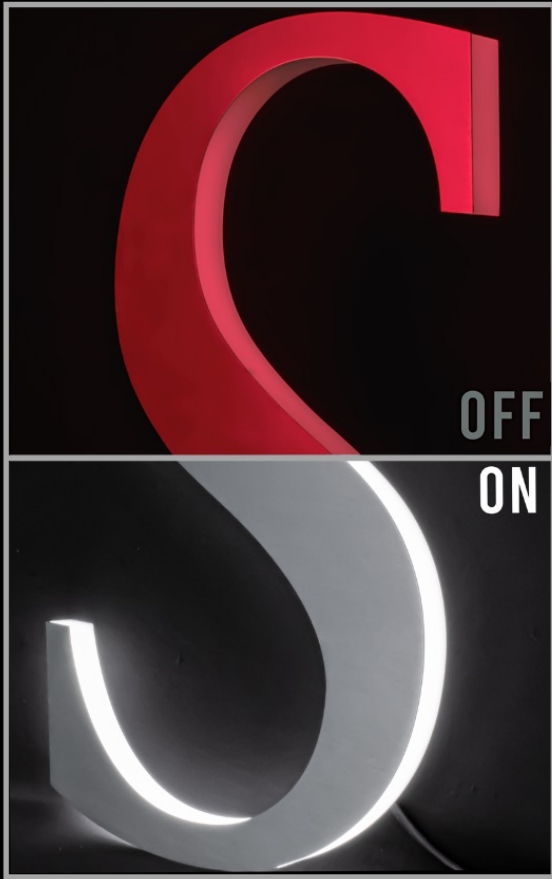
WITH METAL RETURNS



Illumination	Halo Lit - SMD LEDs
Lit Surface Material	Colored or Opal White Acrylic or Vinyl
Face and Returns Material	304# Stainless Steel, Aluminum or Brass
Min Stroke (W)	10mm
Min Height	80mm
Max Height	1200mm
Min Width	80mm
Max Width	1200mm
Min Depth	19mm
Max Depth	127mm

This specification is for reference purposes only, and adjustments will be made to accommodate the various shapes and sizes of the sign.

STAINLESS SERIES



FACE: Brushed, Polished or Painted 304 Grade Stainless Steel, Painted Aluminum or Electroplated Brass

SIDES AND BACK: Opal White or Colored Acrylic

INSIDE OF LETTERS: Painted Glossy White or Colored.

LED's CE/UL Certified Waterproof (or non-waterproof for indoor use) Colored, White or RGB LED Modules

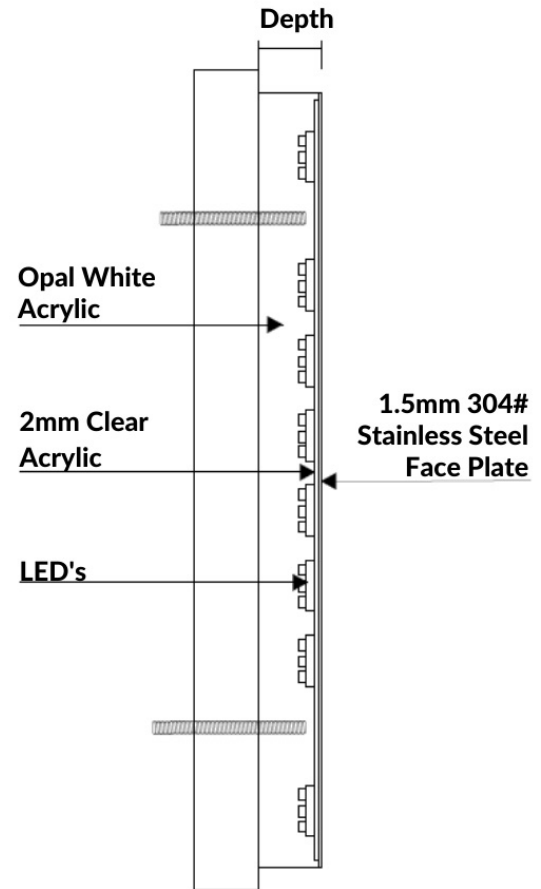
POWER: CE/UL Certified and Waterproof DC12V or 24V Transformer Power Supply

MOUNTING: Rear Screw Standoff Mounting Pins with 1:1 Paper Template Provided or Pre-Mounted to an Acrylic or Metal Backer

Please Inquire for other Custom Materials

HALO LIT AND FULL SIDE

WITH METAL RETURNS



Illumination	Halo and Half Side Lit SMD LEDs
Lit Surface Material	Colored or Opal White Acrylic
Face Material and Returns	304# Stainless Steel, Aluminum or Brass
Min Stroke (W)	15mm
Min Height	150mm
Max Height	600mm
Min Width	100mm
Max Width	600mm
Min Depth	25mm
Max Depth	30mm

This specification is for reference purposes only, and adjustments will be made to accommodate the various shapes and sizes of the sign.

MOUNTING OPTIONS

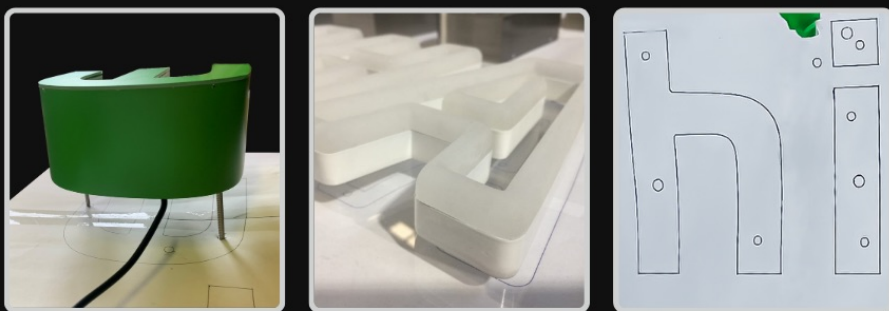
ACRYLIC OR METAL BACKER:



STUD MOUNTS OR STANDOFF PINS:

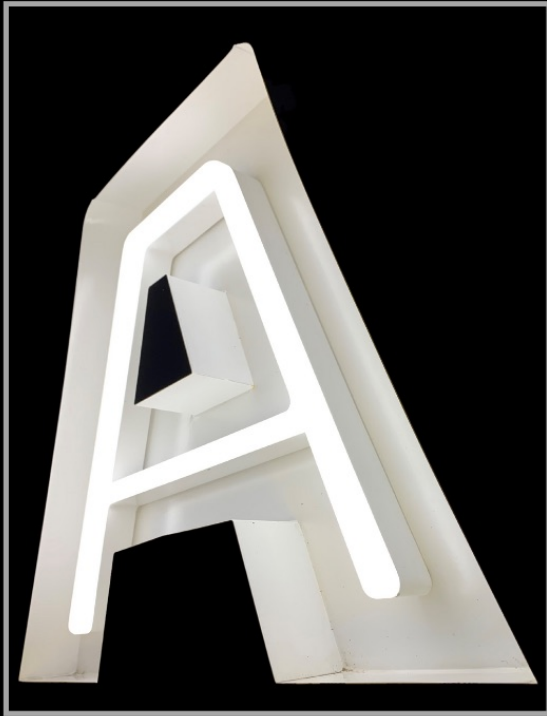


1:1 INSTALLATION TEMPLATE



*All orders include a 1:1 sized paper template,
for an easy rough-in and installation.*

FAUX NEON



FACE: Brushed, Polished or Painted 304 Grade Stainless Steel, Painted Aluminum or Electroplated Brass

SIDE AND BACK RETURNS: Brushed, Polished or Painted 304 Grade Stainless Steel, Painted Aluminum or Electroplated Brass

INSIDE OF LETTERS: Painted Glossy White or Colored.

LED's: CE/UL Certified Colored, White or RGB DC12V or 24V SMD LED Modules

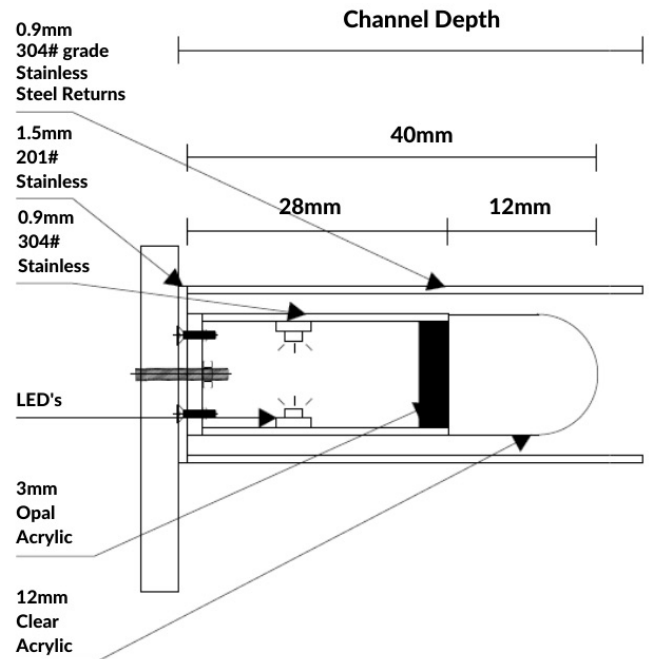
POWER: CE/UL Certified and Waterproof DC12V or 24V Transformer Power Supply

MOUNTING: Rear Screw Standoff Mounting Pins with 1:1 Paper Template Provided or Pre-Mounted to an Acrylic or Metal Backer

Please Inquire for other Custom Material

OPEN CHANNEL FAUX NEON

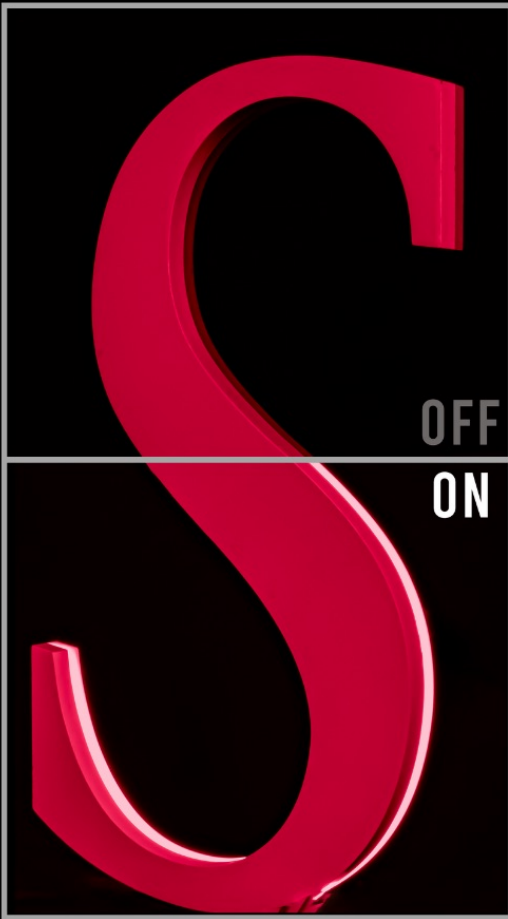
WITH STAINLESS OR ALUMINUM RETURNS



Illumination	SMD LEDs
Lit Surface Material	Frosted or Polished Clear Acrylic Diffuser
Returns Material	304# Stainless Steel or Aluminum
Min Stroke	20mm
Min Neon Stroke	10mm
Max Neon Stroke	30mm
Min Height	100mm
Max Height	1500mm
Min Width	200mm
Max Width	1200mm
Min Depth	76mm

This specification is for reference purposes only, and adjustments will be made to accommodate the various shapes and sizes of the sign.

SOLID ACRYLIC



FACE: White or Colored Translucent Acrylic Front

SIDE RETURNS: Brushed, Polished or Painted 304 Grade Stainless Steel, Painted Aluminum or Electroplated Brass

INSIDE OF LETTERS: Painted Glossy White or Colored.

LED'S: CE/UL Certified Colored, White or RGB DC12V or 24V SMD LED Modules

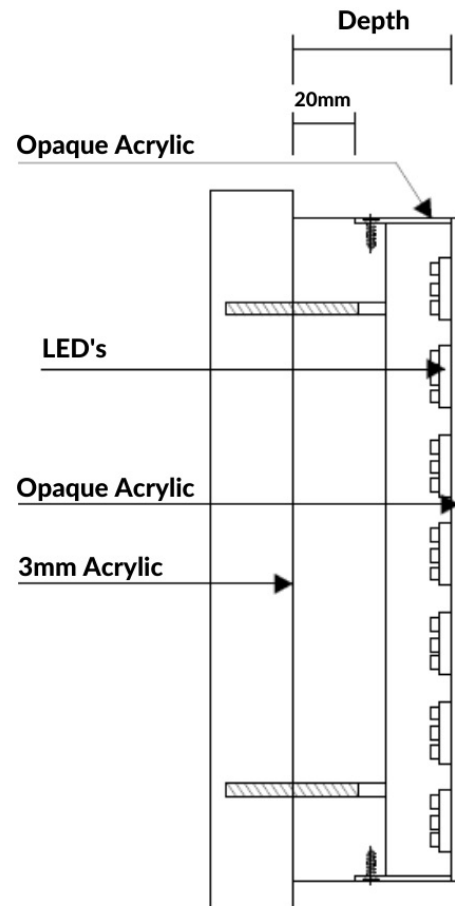
POWER: CE/UL Certified and Waterproof DC12V or 24V Transformer Power Supply

MOUNTING: Rear Screw Standoff Mounting Pins with 1:1 Paper Template Provided or Pre-Mounted to an Acrylic or Metal Backer

Please Inquire for other Custom Materials

SIDE LIT

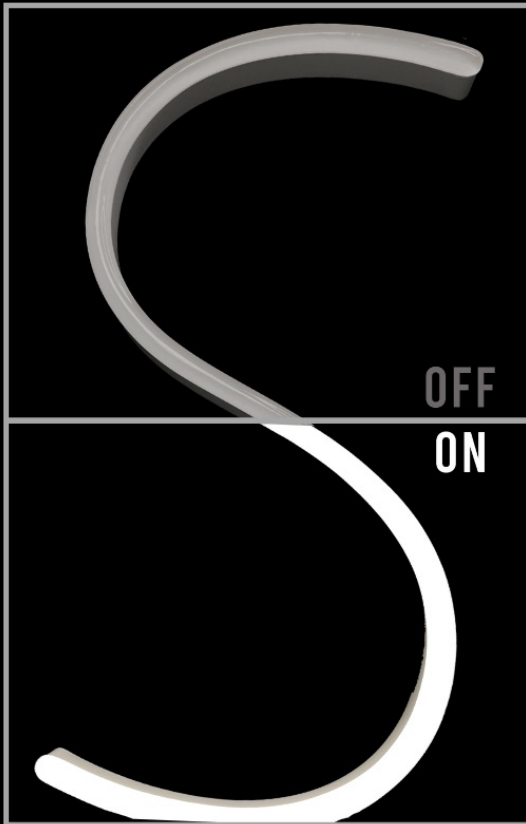
WITH OPAQUE ACRYLIC BACK



Illumination	Half Side Lit SMD LEDs
Lit Surface Material	Colored or White Translucent Acrylic
Face Material and Returns	304# Stainless Steel, Aluminum or Brass
Min Stroke (W)	12mm
Min Height	200mm
Max Height	1200mm
Min Width	200mm
Max Width	1200mm
Min Depth	50mm
Max Depth	102mm

This specification is for reference purposes only, and adjustments will be made to accommodate the various shapes and sizes of the sign.

FAUX SERIES



DIFFUSER: Rounded 12mm Frosted or Polished Clear Acrylic Top - with 3mm Colored or White Opal Acrylic Strip under the Diffuser

RETURNS: Painted or Brushed 304# Stainless Steel or Aluminum

LED's: Face lit with CE/UL certified waterproof (or non- waterproof for indoor use) Colored, White or RGB 12V or 24V LED Modules as Light Source

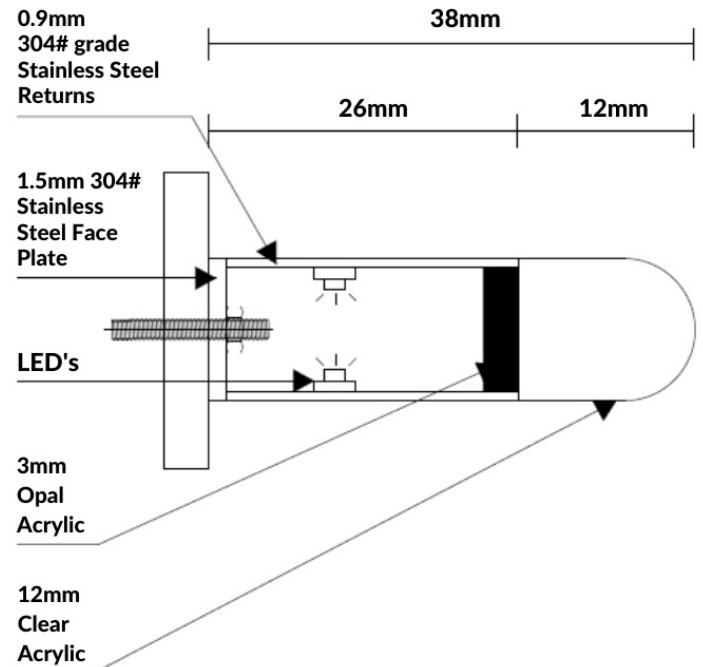
POWER: CE/UL Certified and Waterproof DC12V or 24V Meanwell Transformer Power Supply

MOUNTING: Rear Screw Stud Mounts with 1:1 Paper Template or Pre-Mounted to an Acrylic or Metal Backer with corner Standoff Pins

Please Inquire for other Custom Material

SINGLE STROKE FAUX NEON

WITH AN ROUNDED ACRYLIC TOP
AND METAL RETURNS



Illumination	SMD LEDs
Lit Surface Material	Frosted or Polished Clear Acrylic Diffuser
Returns Material	0.9mm 304# Stainless Steel or Aluminum
Min Stroke	10mm
Max Stroke	30mm
Min Height	200mm
Max Height	1200mm
Min Width	200mm
Max Width	1200mm
Min Depth	19mm
Max Depth	127mm

This specification is for reference purposes only, and adjustments will be made to accommodate the various shapes and sizes of the sign.



VIVID ARCHITECTURAL LETTERING &
ILLUMINATED SIGNAGE



GLLS



UL E356699 : Signs Certified for US and Canada

United States
1075 American Pacific Dr. Suite A,
Henderson, NV 89074

Canada
378 Coverdale Road, Unit A,
Riverview, New-Brunswick, E1B 3J7

United Kingdom
Unit 21, The Old Rectory, Northfleet,
Gravesend DA11 8HN

Tel. : +1-888-580-6366