

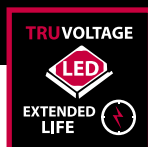
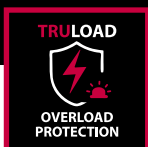
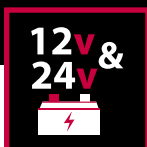
LOAD 100%
NO DEGRADING

MOST RELIABLE POWER SUPPLY IN THE SIGN INDUSTRY

LOWER SYSTEM COST
LOAD MORE MODULES
PER POWER SUPPLY

TRUMATCH WARRANTY
7P / 7L WITH FRANCE LEDs
5P / 5L WITH 3RD PARTY LEDs

FRANCE TORTURE TEST
EACH MODEL IS RUN AT FULL
LOAD FOR 90 DAYS @ 185°F



ASK YOUR DISTRIBUTOR OR OUR REPRESENTATIVE FOR MORE INFORMATION



FranceLighting.com
2268 Fairview Blvd.,
Fairview, TN 37062

U.S. & Canada Representative
SCOTT CUTCHER
scutcher@francelighting.com or 615.815.4128

Need Direct Support? Contact Tracy or Priscilla at 800.793.4793



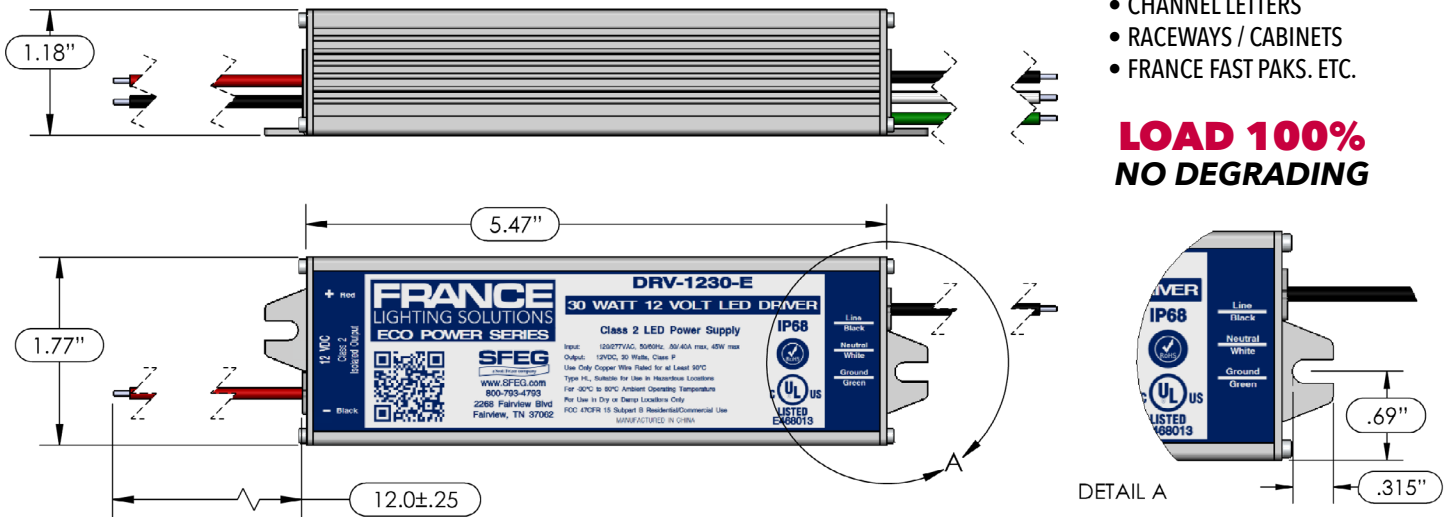
DRV-1230-E

PRO-LEVEL PERFORMANCE AT AN ENTRY LEVEL VALUE

120-277 VAC	TRULOAD OVERLOAD PROTECTION	TRUVOLTAGE EXTENDED LIFE	TRUCURRENT SPIKE PROTECTION	TRUCURRENT SHORT PROTECTION	TRUCOOL HIGH EFFICIENCY	UL LISTED CLASS 2 CLASS P	WARRANTY 7 ^P /7 ^L & 5 ^P /5 ^L
--------------------	---------------------------------------	------------------------------------	---------------------------------------	---------------------------------------	-----------------------------------	-------------------------------------	--

France TruPower Power Supplies are built with integrated LED Power technology to produce the best power supply in the sign industry. Our TruBuild method protects your LED lighting source by controlling current, voltage and heat through tight circuitry integration. The result is a power supply that provides TruLoads, TruVoltage, TruCurrent, and TruCooling. For more details on each of these features and more click this link: [Product Series Comparison Chart](#).

MODEL #	OUTPUT	INPUT	OPERATING TEMPERATURE	UL LISTINGS	INSTALL ENVIRONMENT	WIRE LEADS	WEIGHT EACH	PACKAGING
DRV-1230-E	12VDC, 30 Watt 2.5 Amp, Class 2 No Min. Loading Required	120/277VAC 50/60Hz .80 / .40 Amp Max	-30°C to 60°C -22°F to 140°F	CLASS 2 CLASS P	DRY & DAMP	10"	1 lbs.	30 / CARTON



IDEAL FOR ENCLOSED APPLICATIONS

- CHANNEL LETTERS
- RACEWAYS / CABINETS
- FRANCE FAST PAKS. ETC.

**LOAD 100%
NO DEGRADING**

DETAIL A

FRANCE TRUPOWER POWER SUPPLIES NAVIGATION

- E - 12v / 30w | E - 12v / 60w | E - 12v / 120w | A - 12v / 60w | A - 12v / 120w
 E - 24v / 30w | E - 24v / 60w | E - 24v / 100w | A - 24v / 60w | A - 24v / 100w



PRO-LEVEL PERFORMANCE AT AN ENTRY LEVEL VALUE

120-277
VAC

TRULOAD
OVERLOAD PROTECTION

TRUVOLTAGE
LED
EXTENDED LIFE

TRUCURRENT
SPIKE PROTECTION

TRUCURRENT
SHORT PROTECTION

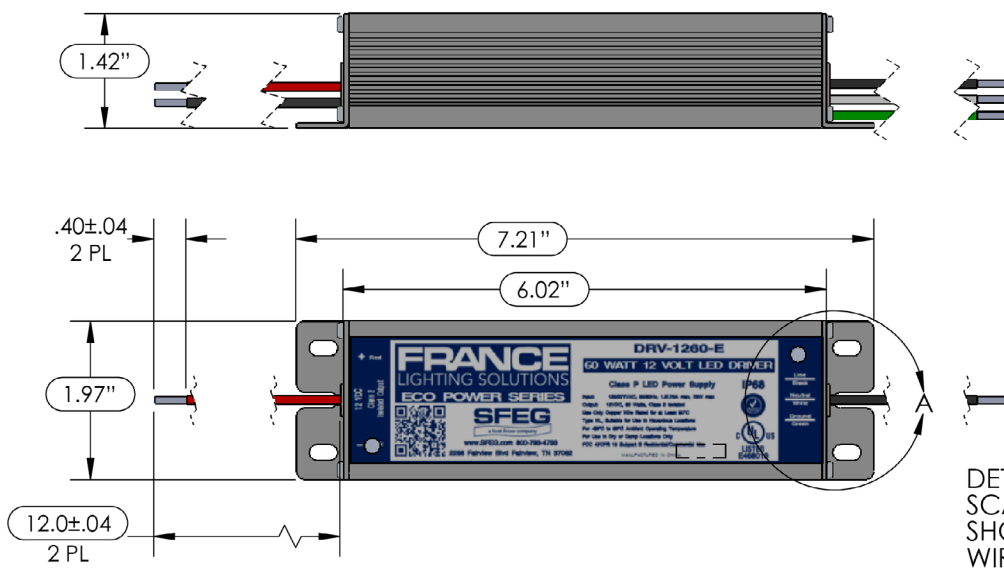
TRUCOOL
HIGH EFFICIENCY

UL LISTED
CLASS 2
CLASS P

WARRANTY
7^P/7^L &
5^P/5^L

France TruPower Power Supplies are built with integrated technology to produce the best power supply in the sign industry. Our **TruBuild** method protects your LED lighting source by controlling current, voltage and heat through tight circuitry integration. The result is a power supply that provides **TruLoads**, **TruVoltage**, **TruCurrent**, and **TruCooling**. For more details on each of these features and more click this link: [Product Series Comparison Chart](#).

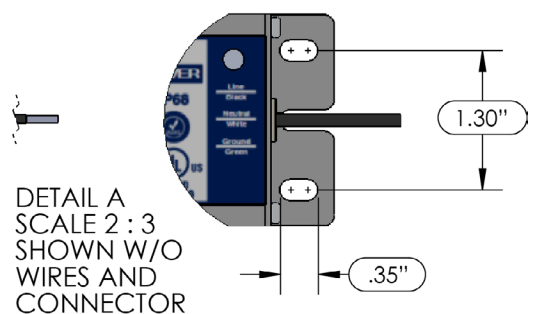
MODEL #	OUTPUT	INPUT	OPERATING TEMPERATURE	UL LISTINGS	INSTALL ENVIRONMENT	WIRE LEADS	WEIGHT EACH	PACKAGING
DRV-1260-E	12VDC, 60 Watt 5 Amp, Class 2 No Min. Loading Required	120/277VAC 50/60Hz 1.2 / .70 Amp Max	-30°C to 60°C -22°F to 140°F	CLASS 2 CLASS P	DRY & DAMP	10"	2 lbs.	20 / CARTON



IDEAL FOR ENCLOSED APPLICATIONS

- CHANNEL LETTERS
- RACEWAYS / CABINETS
- FRANCE FAST PAKS. ETC.

**LOAD 100%
NO DEGRADING**



FRANCE TRUPOWER POWER SUPPLIES NAVIGATION



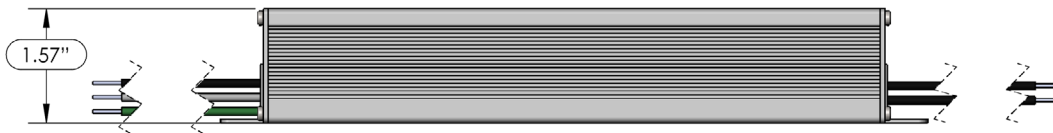
DRV-12120-E

PRO-LEVEL PERFORMANCE AT AN ENTRY LEVEL VALUE

120-277 VAC	TRULOAD OVERLOAD PROTECTION	TRUVOLTAGE LED EXTENDED LIFE	TRUCURRENT SPIKE PROTECTION	TRUCURRENT SHORT PROTECTION	TRUCOOL HIGH EFFICIENCY	UL LISTED CLASS 2 CLASS P	WARRANTY 7 ^P /7 ^L & 5 ^P /5 ^L
--------------------	---------------------------------------	---	---------------------------------------	---------------------------------------	-----------------------------------	--	---

France TruPower Power Supplies are built with integrated technology to produce the best power supply in the sign industry. Our **TruBuild** method protects your LED lighting source by controlling current, voltage and heat through tight circuitry integration. The result is a power supply that provides **TruLoads**, **TruVoltage**, **TruCurrent**, and **TruCooling**. For more details on each of these features and more click this link: [Product Series Comparison Chart](#).

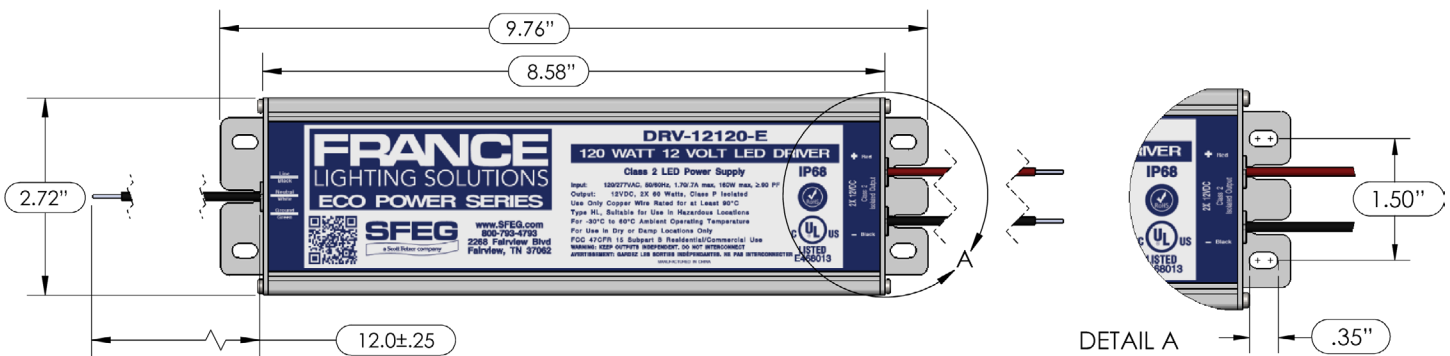
MODEL #	OUTPUT	INPUT	OPERATING TEMPERATURE	UL LISTINGS	INSTALL ENVIRONMENT	WIRE LEADS	WEIGHT EACH	PACKAGING
DRV-12120-E	12VDC, 2 x 60 Watt 2 x 5 Amp, Class 2 No Min. Loading Required	120/277VAC 50/60Hz 1.7 / .70 Amp Max	-30°C to 60°C -22°F to 140°F	CLASS 2 CLASS P	DRY & DAMP	10"	2.9 lbs.	8 / CARTON



IDEAL FOR ENCLOSED APPLICATIONS

- CHANNEL LETTERS
- RACEWAYS / CABINETS
- FRANCE FAST PAKS, ETC.

LOAD 100%
NO DEGRADING



FRANCE TRUPOWER POWER SUPPLIES NAVIGATION

A {ATLAS} SERIES - 60W



DRV-1260-A



BUILT TO WEATHER THE MOST CHALLENGING INSTALLS

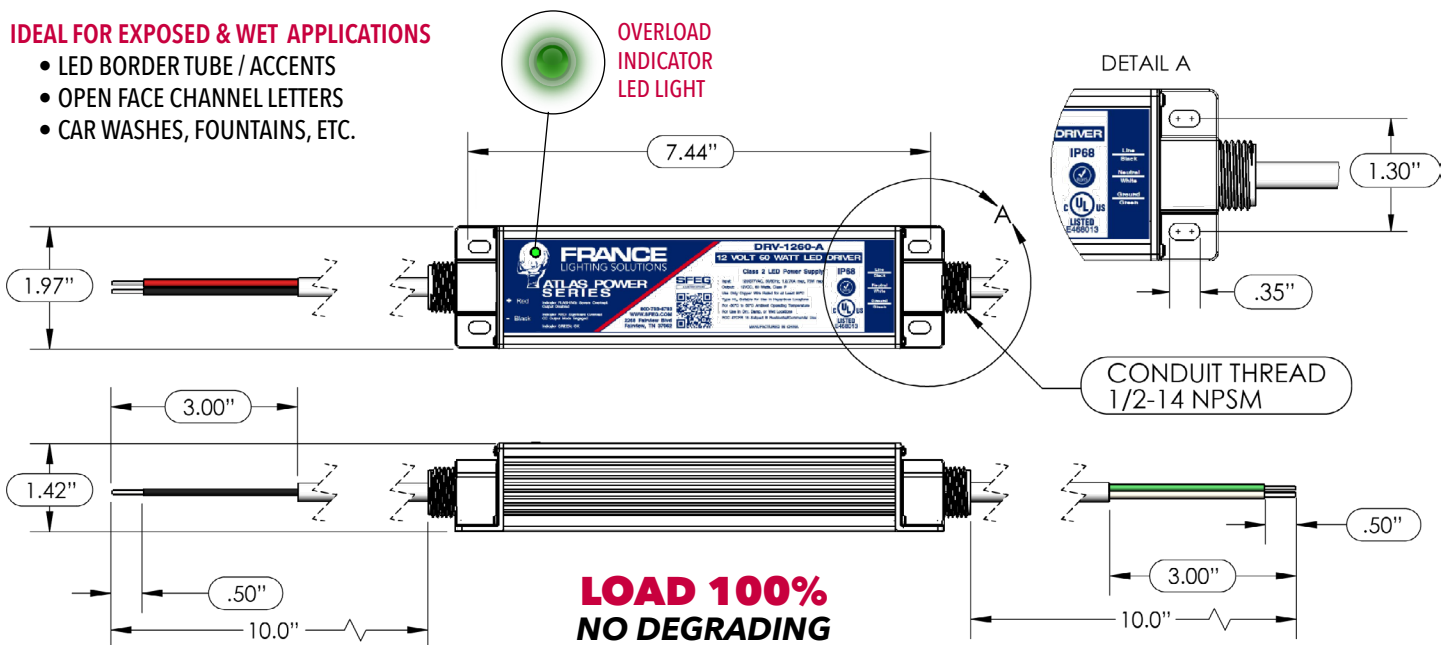
TRULOAD OVERLOAD PROTECTION	TRUVOLTAGE LED EXTENDED LIFE	TRUCURRENT SPIKE PROTECTION	TRUCURRENT SHORT PROTECTION	TRUCOOL HIGH EFFICIENCY	TRUCONDUIT CONNECT WET APPLICATIONS	MAXIMUM WATER RESISTANCE	WARRANTY 7 ^P /7 ^L & 5 ^P /5 ^L
---------------------------------------	---	---------------------------------------	---------------------------------------	-----------------------------------	--	------------------------------------	---

France TruPower Power Supplies are built with integrated technology to produce the best power supply in the sign industry. Our **TruBuild** method protects your LED lighting source by controlling current, voltage and heat through tight circuitry integration. The result is a power supply that provides **TruLoads**, **TruVoltage**, **TruCurrent**, and **TruCooling**. For more details on each of these features and more click this link: [Product Series Comparison Chart](#).

MODEL #	OUTPUT	INPUT	OPERATING TEMPERATURE	UL LISTINGS	INSTALL ENVIRONMENT	WIRE LEADS	WEIGHT EACH	PACKAGING
DRV-1260-A	12VDC, 60 Watt 5 Amp, Class 2 No Min. Loading Required	120/277VAC 50/60Hz 1.2 / .70 Amp Max	-30°C to 60°C -22°F to 140°F	CLASS 2 CLASS P	WET, DRY & DAMP	10"	2 lbs.	20 / CARTON

IDEAL FOR EXPOSED & WET APPLICATIONS

- LED BORDER TUBE / ACCENTS
- OPEN FACE CHANNEL LETTERS
- CAR WASHES, FOUNTAINS, ETC.



FRANCE TRUPOWER POWER SUPPLIES NAVIGATION



- E - 12v / 30w | E - 12v / 60w | E - 12v / 120w | A - 12v / 60w | A - 12v / 120w
- E - 24v / 30w | E - 24v / 60w | E - 24v / 100w | A - 24v / 60w | A - 24v / 100w

FranceLighting.com - 800.793.4793 - 2268 Fairview Blvd., Fairview, TN 37062

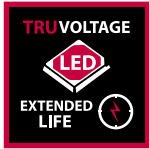
A {ATLAS} SERIES - 120W



12V
DRV-12120-A



BUILT TO WEATHER THE MOST CHALLENGING INSTALLS

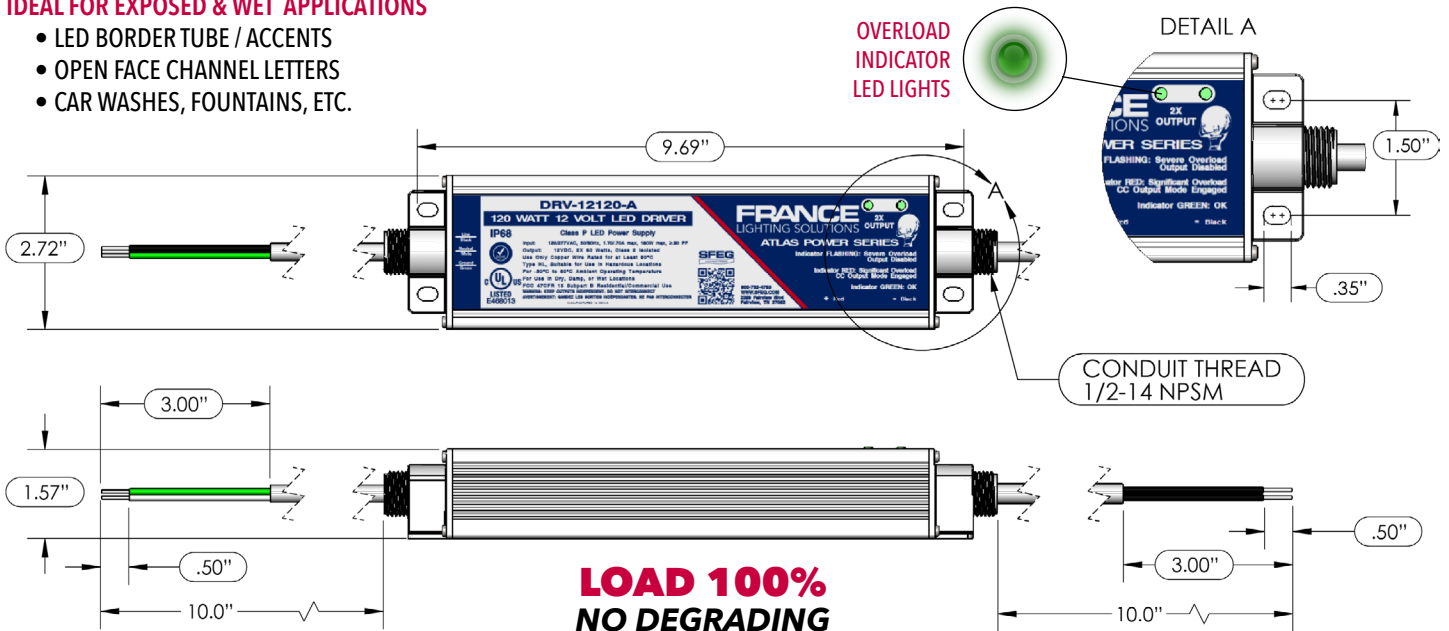


France TruPower Power Supplies are built with integrated technology to produce the best power supply in the sign industry. Our **TruBuild** method protects your LED lighting source by controlling current, voltage and heat through tight circuitry integration. The result is a power supply that provides **TruLoads**, **TruVoltage**, **TruCurrent**, and **TruCooling**. For more details on each of these features and more click this link: [Product Series Comparison Chart](#).

MODEL #	OUTPUT	INPUT	OPERATING TEMPERATURE	UL LISTINGS	INSTALL ENVIRONMENT	WIRE LEADS	WEIGHT EACH	PACKAGING
DRV-12120-A	12VDC, 2x60 Watt 2x5 Amp, Class 2 No Min. Loading Required	120/277VAC 50/60Hz 1.7 / .70 Amp Max	-30°C to 60°C -22°F to 140°F	CLASS 2 CLASS P	WET, DRY & DAMP	10"	2.9 lbs.	8 / CARTON

IDEAL FOR EXPOSED & WET APPLICATIONS

- LED BORDER TUBE / ACCENTS
- OPEN FACE CHANNEL LETTERS
- CAR WASHES, FOUNTAINS, ETC.



FRANCE TRUPOWER POWER SUPPLIES NAVIGATION

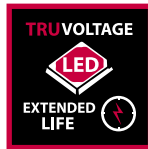


E - 12v / 30w | E - 12v / 60w | E - 12v / 120w | A - 12v / 60w | A - 12v / 120w
E - 24v / 30w | E - 24v / 60w | E - 24v / 100w | A - 24v / 60w | A - 24v / 100w

FranceLighting.com - 800.793.4793 - 2268 Fairview Blvd., Fairview, TN 37062



PRO-LEVEL PERFORMANCE AT AN ENTRY LEVEL VALUE



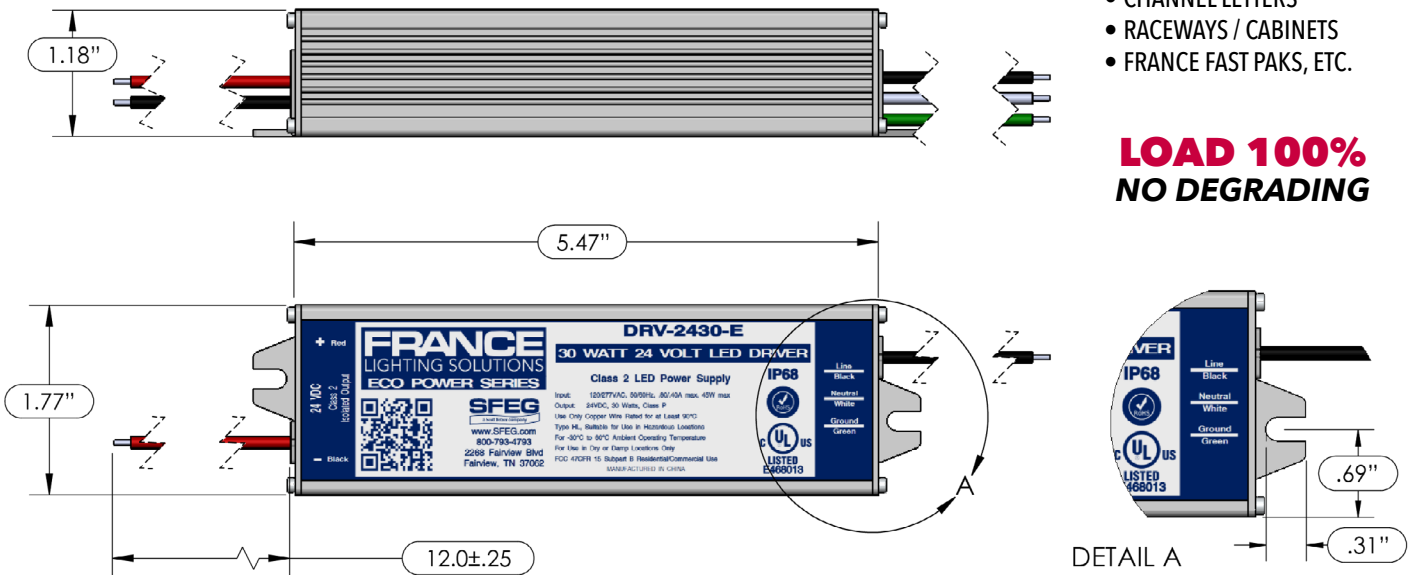
France TruPower Power Supplies are built with integrated technology to produce the best power supply in the sign industry. Our **TruBuild** method protects your LED lighting source by controlling current, voltage and heat through tight circuitry integration. The result is a power supply that provides **TruLoads**, **TruVoltage**, **TruCurrent**, and **TruCooling**. For more details on each of these features and more click this link: [Product Series Comparison Chart](#).

MODEL #	OUTPUT	INPUT	OPERATING TEMPERATURE	UL LISTINGS	INSTALL ENVIRONMENT	WIRE LEADS	WEIGHT EACH	PACKAGING
DRV-2430-E	24VDC, 30 Watt 1.25 Amp, Class 2 No Min. Loading Required	120/277VAC 50/60Hz .80 / .40 Amp Max	-30°C to 60°C -22°F to 140°F	CLASS 2 CLASS P	DRY & DAMP	10"	1 lbs.	30 / CARTON

IDEAL FOR ENCLOSED APPLICATIONS

- CHANNEL LETTERS
- RACEWAYS / CABINETS
- FRANCE FAST PAKS, ETC.

**LOAD 100%
NO DEGRADING**



FRANCE TRUPOWER POWER SUPPLIES NAVIGATION



- E - 12v / 30w | E - 12v / 60w | E - 12v / 120w | A - 12v / 60w | A - 12v / 120w
 E - 24v / 30w | E - 24v / 60w | E - 24v / 100w | A - 24v / 60w | A - 24v / 100w



E {ECONO} SERIES - 60W



DRV-2460-E

PRO-LEVEL PERFORMANCE AT AN ENTRY LEVEL VALUE

120-277
VAC

TRULOAD
OVERLOAD PROTECTION

TRUVOLTAGE
LED
EXTENDED LIFE

TRUCURRENT
SPIKE PROTECTION

TRUCURRENT
SHORT PROTECTION

TRUCOOL
HIGH EFFICIENCY

UL LISTED
CLASS 2
CLASS P

WARRANTY
7^P/7^L &
5^P/5^L

France TruPower Power Supplies are built with integrated technology to produce the best power supply in the sign industry. Our **TruBuild** method protects your LED lighting source by controlling current, voltage and heat through tight circuitry integration. The result is a power supply that provides **TruLoads**, **TruVoltage**, **TruCurrent**, and **TruCooling**. For more details on each of these features and more click this link: [Product Series Comparison Chart](#).

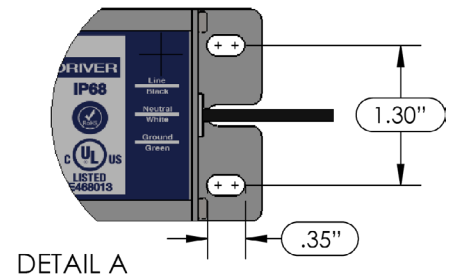
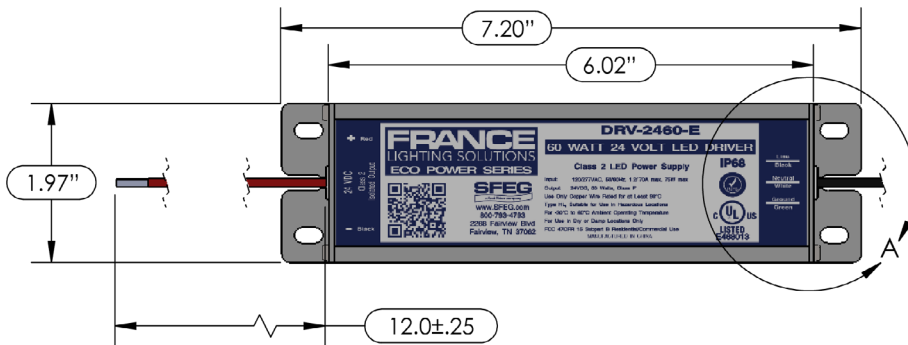
MODEL #	OUTPUT	INPUT	OPERATING TEMPERATURE	UL LISTINGS	INSTALL ENVIRONMENT	WIRE LEADS	WEIGHT EACH	PACKAGING
DRV-2460-E	24VDC, 60 Watt 2.5 Amp, Class 2 No Min. Loading Required	120/277VAC 50/60Hz 1.2 / .70 Amp Max	-30°C to 60°C -22°F to 140°F	CLASS 2 CLASS P	DRY & DAMP	10"	2 lbs.	20 / CARTON



IDEAL FOR ENCLOSED APPLICATIONS

- CHANNEL LETTERS
- RACEWAYS / CABINETS
- FRANCE FAST PAKS, ETC.

**LOAD 100%
NO DEGRADING**



FRANCE TRUPOWER POWER SUPPLIES NAVIGATION



- E - 12v / 30w | E - 12v / 60w | E - 12v / 120w | A - 12v / 60w | A - 12v / 120w
 E - 24v / 30w | E - 24v / 60w | E - 24v / 100w | A - 24v / 60w | A - 24v / 100w

FranceLighting.com - 800.793.4793 - 2268 Fairview Blvd., Fairview, TN 37062

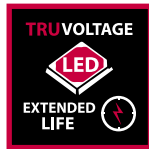


E {ECONO} SERIES - 100W



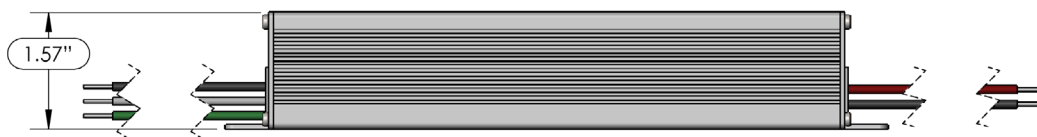
DRV-24100-E

PRO-LEVEL PERFORMANCE AT AN ENTRY LEVEL VALUE



France TruPower Power Supplies are built with integrated technology to produce the best power supply in the sign industry. Our **TruBuild** method protects your LED lighting source by controlling current, voltage and heat through tight circuitry integration. The result is a power supply that provides **TruLoads**, **TruVoltage**, **TruCurrent**, and **TruCooling**. For more details on each of these features and more click this link: [Product Series Comparison Chart](#).

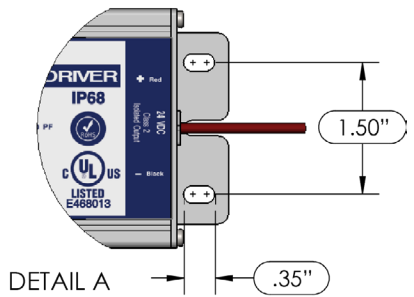
MODEL #	OUTPUT	INPUT	OPERATING TEMPERATURE	UL LISTINGS	INSTALL ENVIRONMENT	WIRE LEADS	WEIGHT EACH	PACKAGING
DRV-12100-E	24VDC, 96 Watt 4 Amp, Class 2 No Min. Loading Required	120/277VAC 50/60Hz 1.20 / .60 Amp Max	-30°C to 60°C -22°F to 140°F	CLASS 2 CLASS P	DRY & DAMP	10"	2.5 lbs.	10 / CARTON



IDEAL FOR ENCLOSED APPLICATIONS

- CHANNEL LETTERS
- RACEWAYS / CABINETS
- FRANCE FAST PAKS, ETC.

**LOAD 100%
NO DEGRADING**



FRANCE TRUPOWER POWER SUPPLIES NAVIGATION

- E - 12v / 30w | E - 12v / 60w | E - 12v / 120w | A - 12v / 60w | A - 12v / 120w
- E - 24v / 30w | E - 24v / 60w | E - 24v / 100w | A - 24v / 60w | A - 24v / 100w



FranceLighting.com - 800.793.4793 - 2268 Fairview Blvd., Fairview, TN 37062

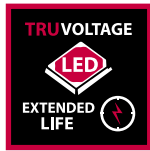
A {ATLAS} SERIES - 60W



DRV-2460-A



BUILT TO WEATHER THE MOST CHALLENGING INSTALLS

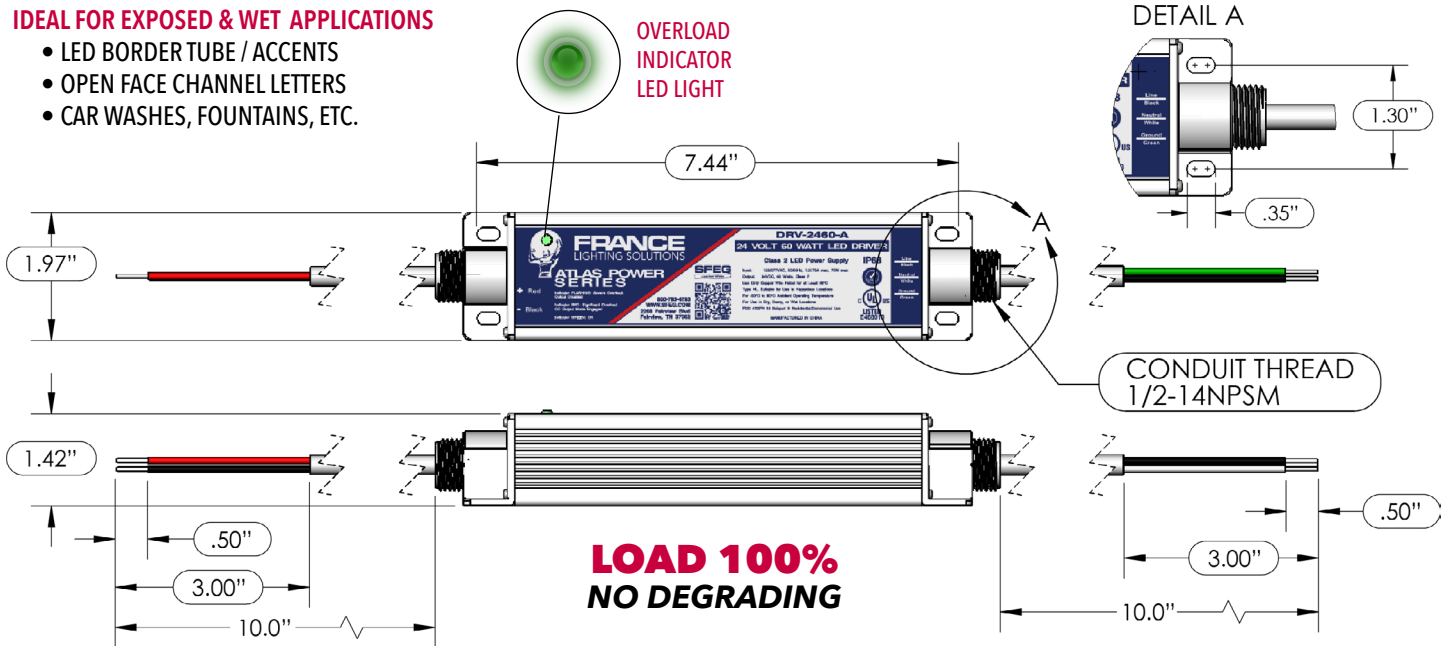


France TruPower Power Supplies are built with integrated technology to produce the best power supply in the sign industry. Our TruBuild method protects your LED lighting source by controlling current, voltage and heat through tight circuitry integration. The result is a power supply that provides TruLoads, TruVoltage, TruCurrent, and TruCooling. For more details on each of these features and more click this link: [Product Series Comparison Chart](#).

MODEL #	OUTPUT	INPUT	OPERATING TEMPERATURE	UL LISTINGS	INSTALL ENVIRONMENT	WIRE LEADS	WEIGHT EACH	PACKAGING
DRV-2460-A	24VDC, 60 Watt 2.5 Amp, Class 2 No Min. Loading Required	120/277VAC 50/60Hz 1.2 / .70 Amp Max	-30°C to 60°C -22°F to 140°F	CLASS 2 CLASS P	WET, DRY & DAMP	10"	2 lbs.	20 / CARTON

IDEAL FOR EXPOSED & WET APPLICATIONS

- LED BORDER TUBE / ACCENTS
- OPEN FACE CHANNEL LETTERS
- CAR WASHES, FOUNTAINS, ETC.



FRANCE TRUPOWER POWER SUPPLIES NAVIGATION



- E - 12v / 30w | E - 12v / 60w | E - 12v / 120w | A - 12v / 60w | A - 12v / 120w
- E - 24v / 30w | E - 24v / 60w | E - 24v / 100w | A - 24v / 60w | A - 24v / 100w

FranceLighting.com - 800.793.4793 - 2268 Fairview Blvd., Fairview, TN 37062

A {ATLAS} SERIES - 100W



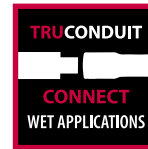
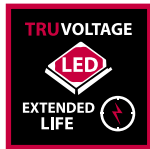
DRV-24100-A



120-277 VAC



BUILT TO WEATHER THE MOST CHALLENGING INSTALLS

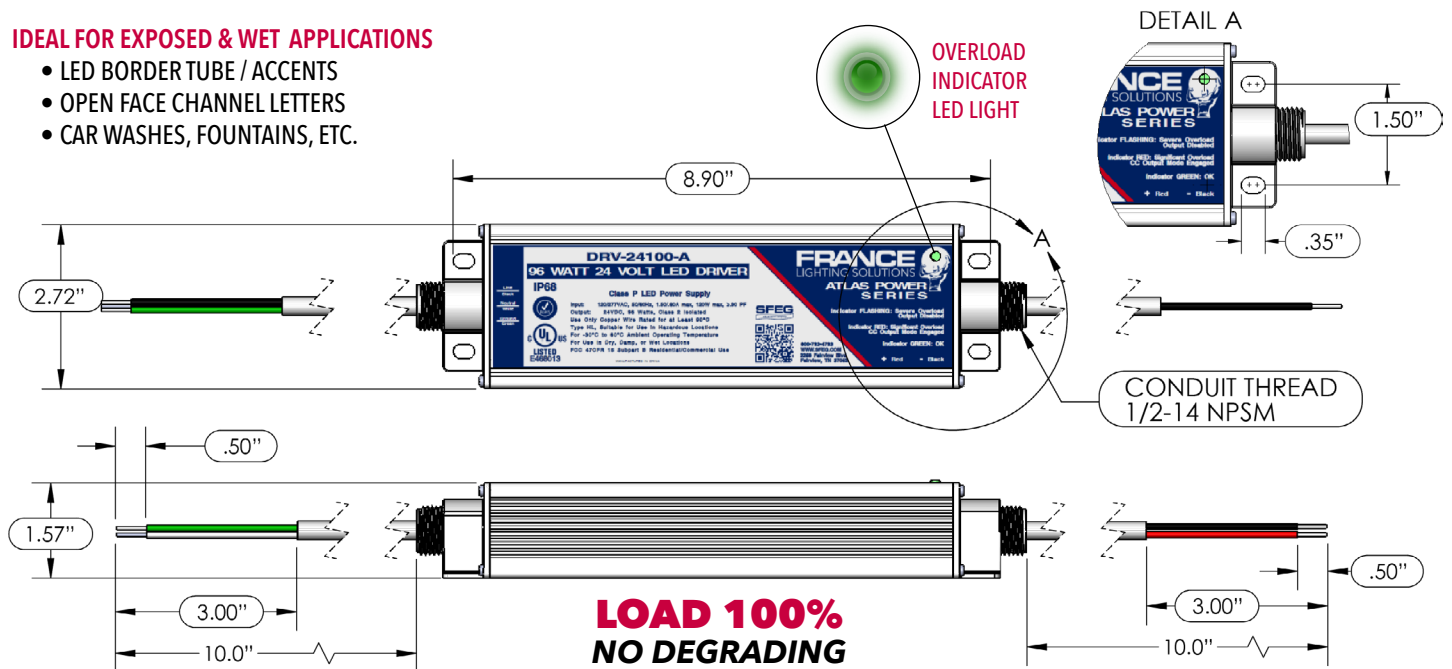


France TruPower Power Supplies are built with integrated technology to produce the best power supply in the sign industry. Our TruBuild method protects your LED lighting source by controlling current, voltage and heat through tight circuitry integration. The result is a power supply that provides TruLoads, TruVoltage, TruCurrent, and TruCooling. For more details on each of these features and more click this link: [Product Series Comparison Chart](#).

MODEL #	OUTPUT	INPUT	OPERATING TEMPERATURE	UL LISTINGS	INSTALL ENVIRONMENT	WIRE LEADS	WEIGHT EACH	PACKAGING
DRV-24100-A	24VDC, 96 Watt 4 Amp, Class 2 No Min. Loading Required	120/277VAC 50/60Hz 1.2 / .60 Amp Max	-30°C to 60°C -22°F to 140°F	CLASS 2 CLASS P	WET, DRY & DAMP	10"	2 lbs.	10 / CARTON

IDEAL FOR EXPOSED & WET APPLICATIONS

- LED BORDER TUBE / ACCENTS
- OPEN FACE CHANNEL LETTERS
- CAR WASHES, FOUNTAINS, ETC.



FRANCE TRUPOWER POWER SUPPLIES NAVIGATION



E - 12v / 30w | E - 12v / 60w | E - 12v / 120w | A - 12v / 60w | A - 12v / 120w
E - 24v / 30w | E - 24v / 60w | E - 24v / 100w | A - 24v / 60w | A - 24v / 100w

FranceLighting.com - 800.793.4793 - 2268 Fairview Blvd., Fairview, TN 37062

PRODUCT SERIES COMPARISON CHART



ECONO SERIES

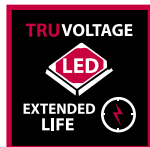


ATLAS SERIES

100% LOADING - NO DEGRADING	YES	YES
120 / 277 VAC INPUT	YES	YES
12V & 24V OUTPUT OPTIONS	YES	YES
UL LISTED - CLASS 2 & CLASS P	YES	YES
RoHS Classification	YES	YES
IP68 - DRY & DAMP	YES	YES
IP68 - WET LISTED	NO	YES
OPERATING TEMPERATURES -30°C to 60°C / -22°F to 140°F	YES	YES
PASSED FRANCE TORTURE TEST (FULL LOAD FOR 90 DAYS @ 185° F)	YES	YES
5P / 5L WARRANTY (WHEN PAIRED WITH 3RD PARTY LEDs)	YES	YES
7P / 7L WARRANTY (WHEN PAIRED WITH FRANCE LEDs)	YES	YES
TRU LOAD OVERLOAD PROTECTION	YES	YES w/ LED Indicator
TRU VOLTAGE LED EXTENDED LIFE	YES	YES
TRU CURRENT SPIKE PROTECTION	YES	YES
TRU CURRENT SHORT PROTECTION	YES	YES
TRU COOL HIGH EFFICIENCY	YES	YES
TRU CONDUIT CONNECT (FOR WET APPLICATIONS I.E. CAR WASHES, ETC.)	NO	YES



Provides over load indication in both power supply series. The Econo Series flashes the connected LEDs signifying an overload while the Atlas has a built in LED indicator light.



Provides a lower voltage ripple decreasing the regulated heat. Reducing heat prolongs the life of the connected LEDs.



Provides a safe guard against electrical or LED shorts shutting down the driver until the short is removed. Once the short is remove the driver will restore itself.



Provides a safe guard by dimming the connected LEDs during voltage spikes. Once the voltage stabilizes the LEDs are automatically returned to normal brightness.



Provides superior DC current regulations at only 2%. This protects each power supply against thermal throttling in extreme conditions.



Provides specially designed threaded connectors in each end of the power supply to accept wet rated conduit for wet applications such as car washes.

FRANCE TRUPOWER POWER SUPPLIES NAVIGATION



[E - 12v / 30w](#) | [E - 12v / 60w](#) | [E - 12v / 120w](#) | [A - 12v / 60w](#) | [A - 12v / 120w](#)
[E - 24v / 30w](#) | [E - 24v / 60w](#) | [E - 24v / 100w](#) | [A - 24v / 60w](#) | [A - 24v / 100w](#)

FranceLighting.com - 800.793.4793 - 2268 Fairview Blvd., Fairview, TN 37062

ALL POWER SUPPLY CANS ARE CREATED EQUAL, *RIGHT?*
NOT EVEN CLOSE!



THE "OTHER" GUYS



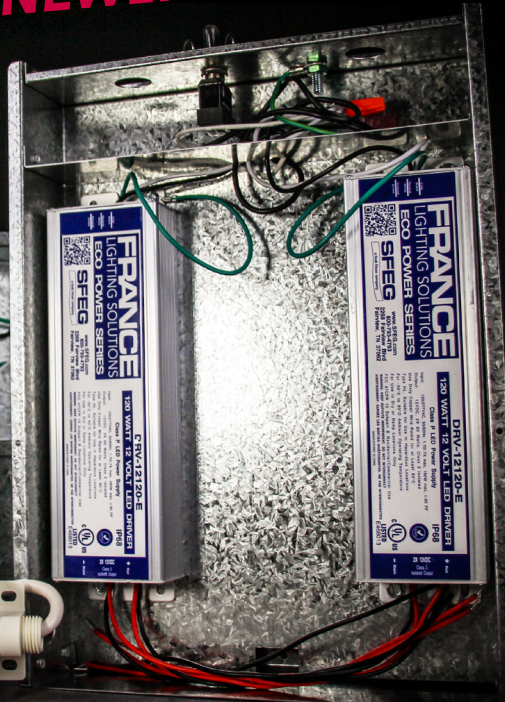
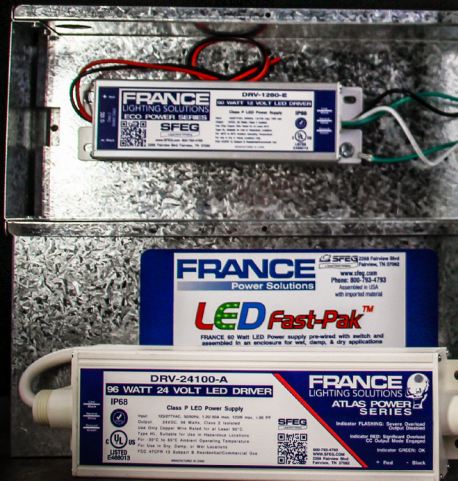
**96 HOURS 5%
CONTINUOUS
SALT SPRAY TEST**



OURS



NEWLY REDESIGNED



REMOVABLE PARTITION
FOR NO-PAIN INSTALL

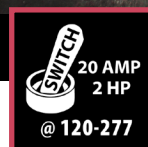
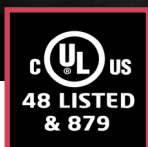
MULTITUDE OF AVAILABLE
DRIVER CONFIGURATIONS

DESIGNED FOR VERTICAL &
HORIZONTAL INSTALLATIONS

TRUALIGN KNOCKOUTS FOR
DECREASED CONDUIT BENDS

UL48: HIGH & LOW VOLTAGE
SEPARATE FOR SERVICEABILITY

PATENT PENDING



ASK YOUR DISTRIBUTOR OR OUR REPRESENTATIVE FOR MORE INFORMATION



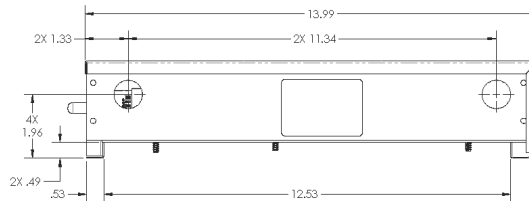
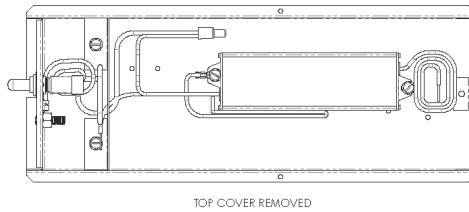
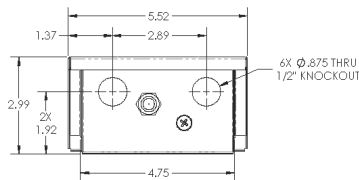
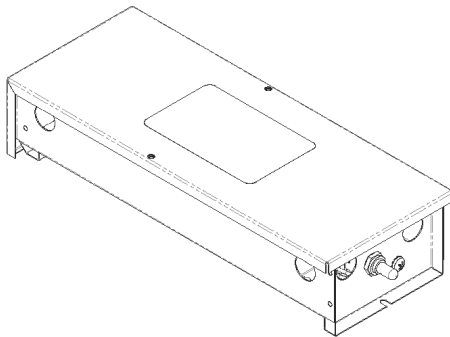
FranceLighting.com
2268 Fairview Blvd.,
Fairview, TN 37062

U.S. & Canada Representative
SCOTT CUTCHER
scutcher@francelighting.com or 615.815.4128

Need Direct Support? Contact Tracy or Priscilla at 800.793.4793

France TruPower Fast Paks have been redesigned to meet UL 48 and NEC 2017 Standards. Our Fast Paks aren't just recognized, but listed as a UL component and ready for install. France puts you back in control by allowing custom configurations to meet your power requirements. See compatibility chart below.

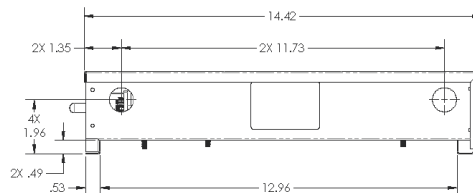
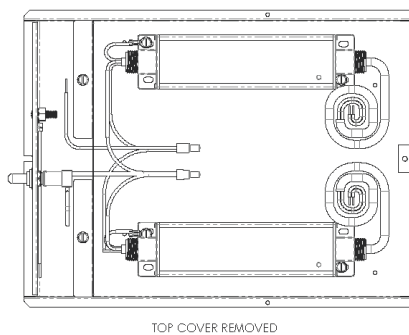
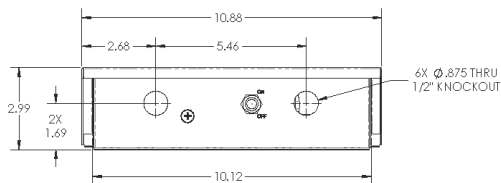
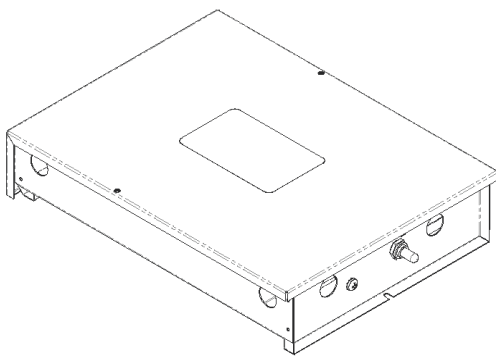
SINGLE TRUPOWER FAST PAK



PATENT PENDING

FAST-PAK MODEL	PART NUMBER	CONFIGURATION
SFP-1230-E	39006-01	1} DRV-1230-E
SFP-2430-E	39006-02	1} DRV-2430-E
SFP-1260-E	39006-03	1} DRV-1260-E
SFP-1260-A	39006-05	1} DRV-1260-A
SFP-2460-E	39006-04	1} DRV-2460-E
SFP-2460-A	39006-06	1} DRV-2460-A
SFP-12120-E	39006-08	1} DRV-12120-E
SFP-24100-E	39006-07	1} DRV-24100-E

DOUBLE TRUPOWER FAST PAK



PATENT PENDING

FAST-PAK MODEL	PART NUMBER	CONFIGURATION
DFP-12120-E	39002-03	2} DRV-1260-E
DFP-12120-A	39002-05	2} DRV-1260-A
DFP-24120-E	39002-04	2} DRV-2460-E
DFP-24120-A	39002-06	2} DRV-2460-A
DFP-12240-E	39002-08	2} DRV-12120-E
DFP-24192-E	39002-07	2} DRV-24100-E
DFP-12180-E	39002-38	1} DRV-1260-E 1} DRV12120-E
DFP-24156-E	39002-47	1} DRV-2460-E 1} DRV24100-E