

Constant Voltage Dimmable LED Driver

Output	
DC Voltage	24V
Voltage Accuracy	±0.5V
Voltage Regulation	±0.5%
Rated Current	8.33A
Load Regulation	±1%
Rated power	200W

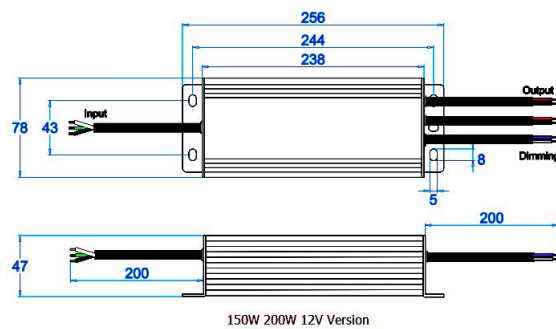
Input	
Voltage Range	100-277VAC
THD (Typ. @ Full Load)	<20%@120VAC & 277VAC
AC Current (Max.)	2.3A
Frequency Range	47~63Hz
Inrush Current	15A, 50%, 1.4ms @120VAC, 30A, 50%, 1.4ms@277VAC
Leakage Current	<0.50mA
Power Factory (Typ.)	0.98@120VAC , 0.95@277VAC
Efficiency (Typ. @ full load)	85% @ 120VAC, 88% @ 277VAC

Protection	
Over temperature	100°C±10°C shuts down o/p voltage, automatically recovers after cooling
Short Circuit	Shuts down o/p voltage, re-power on to recover after fault condition is removed
Over Loading	≤120% constant current limiting, auto-recovery

Environment	
Working Temp.	-40°F ~ 140°F (-40°C ~ +60°C) - cooling by free air convection
Working Humidity	20-95% RH, Non-Condensing
Storage Temp	-40°F ~ 176°F(-40°C ~ 80°C) - Humidity 10~95% RH
Temp. Coefficient	±0.03%/°C (0°C-50°C)
Vibration	10-500Hz, 2G 10min / 1 cycle period for 60min. each along X,Y,Z axes

Safety & EMC	
Safety standards	UL8750, CAN/CSA-C22.2 No. 250.13
Withstand voltage	I/P-O/P: 1.88kVac
Isolation resistance	I/P-O/P 100MΩ/500VDC/25°C/70%RH
EMC Emission	FCC 47 CFR Part 15, Subpart B

Other Info	
Weight	Approx. 1.5Kg
Enclosure Size (LxWxH)	7.4" x 3.72" x 1.57" (256mm x 78mm x 47mm) (L*W*H)
Packaging	10pcs /CTN
Warranty	7 Years - Limited Coverage
Features	Built-in PFC Function (PF>0.99)/ Dimming range: 0~100%/ Load: 10-100% / For dry, damp, and wet locations
Dimming	0-10V/1-10V/Potentiometer/10V PWM/Phase-Cut (forward phase, reverse phase/MLV, ELV, TRIAC)



150W 200W 12V Version

***Notes:**

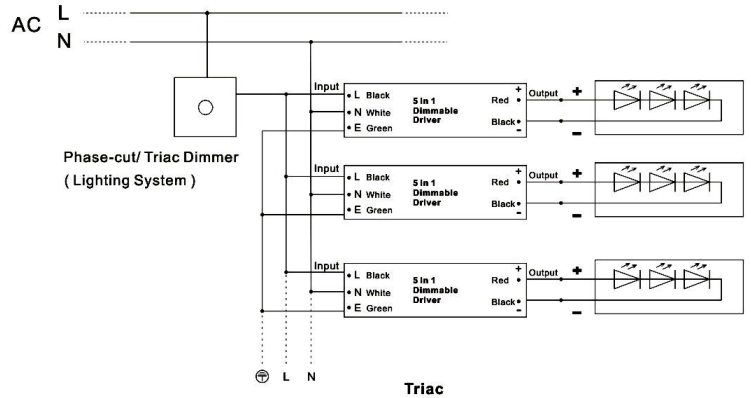
1. All parameters NOT specially mentioned are measured at 110V/277VAC input , rated load and 25°C of ambient temperature.
2. Tolerance: includes set us tolerance, line regulation and load regulation .
3. The power supply is considered as a component that will be operated in combination with final Equipment. Since EMC performance will be affected by the complete installation, the final equipment manufactures must be qualify EMC Directive on the complete installation again.

Version 2.0 | Specifications are subject to change without notice.

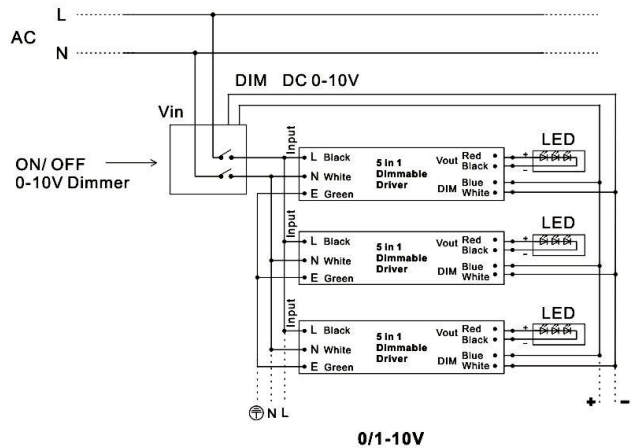
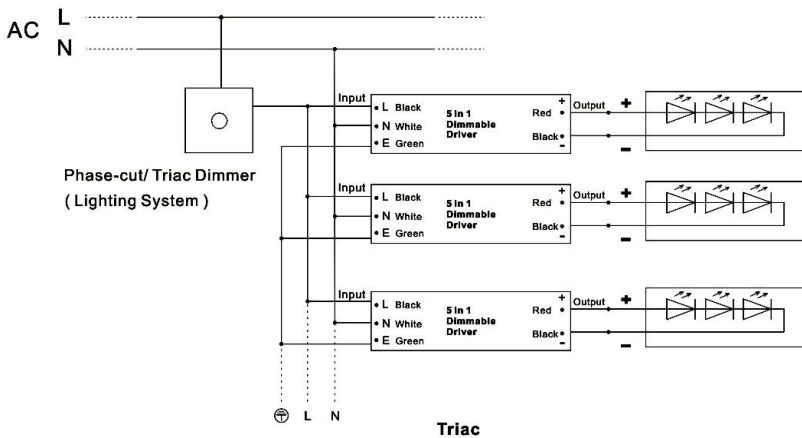
- Input cable 3*18AWG,the green cable to (FG) "Black" to L, and "White" to N of Mains AC
- Output cable 2*16AWG,Red" (+) to LED Positive side (+) , "Black"(-) to LED Negative side (-).
- Dimming cable 2*18AWG,DIM (+) Purple to 0/1-10V dimmer signal(+),DIM (-) Grey to 0/1-10V dimmer signal (-)
- Please DO NOT connect "DIM-" to "LED-","DIM+" to "LED+" ,or other incorrect connection.
- Please make sure your connect these correctly otherwise your product will not function correctly and could be damaged.

Using TRIAC/Phase Cut dimming

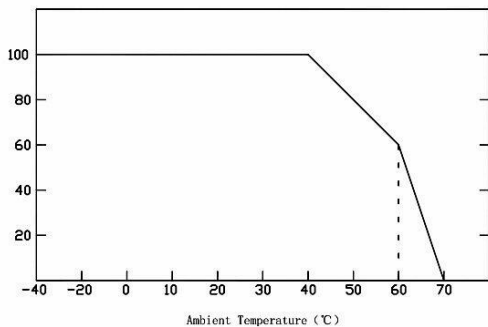
1. The Pulse-Width Modulation (PWM) output voltage can be adjusted through the input terminal of the AC phase line (L) by connecting a phase/TRIAC dimmer (lighting system).
2. Works with forward phase/leading edge, MLV and reverse phase/trailing edge, ELV, and TRIAC dimmers.
3. Please try to use dimmers with power at least 1.5 times the output power of the driver.
4. Min loading is about 10%.



Using 1-10 / 1-10V dimming



Derating Curve



Load carried in accordance with the derating curve, according to the ambient temperature, in order to extend the working life.

Instructions

1. This driver should be installed by a qualified and professional person;
2. Make sure the driver is installed with adequate ventilation to allow for heat dissipation;
3. Ensure all wiring is correct before testing in order to avoid light and power supply damage;
4. If the dimmable LED drivers do not perform normally, do not maintain privately. Contact us at: support@glls.com or 1-888-580-6366

5: Websites: www.glls.com or www.ledneonflex.com