



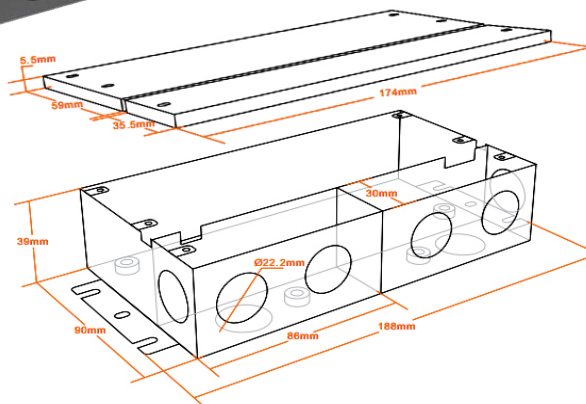
Scan QR Code for Digital Version

Constant Voltage Dimmable LED Driver



Output	
DC Voltage	12V
Voltage Accuracy	±0.5V
Voltage Regulation	±0.5%
Rated Current	5A
Voltage Tolerance	±0.5V
Load Regulation	±1%
Rated power	60W

Input	
Voltage Range	100-277VAC (Max. 100-305VAC)
THD (Typ. @ Full Load)	<20%
AC Current (Max.)	0.5A@100VAC
Frequency Range	47~63Hz
Inrush Current	14A, 50%, 780µs @120VAC, 15A, 50%, 660µs @277VAC
Leakage Current	<0.50mA
Power Factory (Typ.)	0.98@120VAC , 0.95@277VAC
Efficiency (Typ. @ full load)	>88%



Protection	
Over temperature	100°C±10°C shuts down o/p voltage, automatically recovers after cooling
Short Circuit	Shuts down o/p voltage, re-power on to recover after fault condition is removed
Over Loading	≤120% Hiccup mode, recovers automatically after fault condition is removed

Environment	
Working Temp.	-40°F ~ 140°F (-40°C ~ +60°C) - cooling by free air convection
Working Humidity	20-90% RH, Non-Condensing
Storage Temp	-40°F ~ 176°F(-40°C ~ 80°C) - Humidity 10~95% RH
Temp. Coefficient	±0.03%/°C (0°C-50°C)
Vibration	10-500Hz, 2G 10min / 1 cycle period for 60min. each along X,Y,Z axes

Safety & EMC	
Safety standards	UL8750 + UL1310 - cUL Listed - Class 2 Type HL Rated - FCC - NEMA 4X Rated
Withstand voltage	I/P-O/P: 3.75KVAC
Isolation resistance	I/P-O/P 100MΩ/500VDC/25°C/70%RH
EMC Emission	FCC Part 15 B - Immunity: Compliance to EN55015; EN61000-4-2,3,4,5,6,8,11, EN61547 Alight industry level (surge4KV)



Other Info	
Weight	Approx. 1.1Kg
Enclosure Size (LxWxH)	7.4" x 3.72" x 1.57" (188mm x 94.5mm x 40mm)
Packaging	10pcs /CTN
Warranty	7 Years - Limited Coverage
Features	Built-in PFC Function (PF>0.99)/ Dimming range: 0~100%/ Load: 10-100% / For dry, damp, and wet locations
Dimming	0-10V/1-10V/Potentiometer/10V PWM/Phase-Cut (forward phase, reverse phase/MLV, ELV, TRIAC)

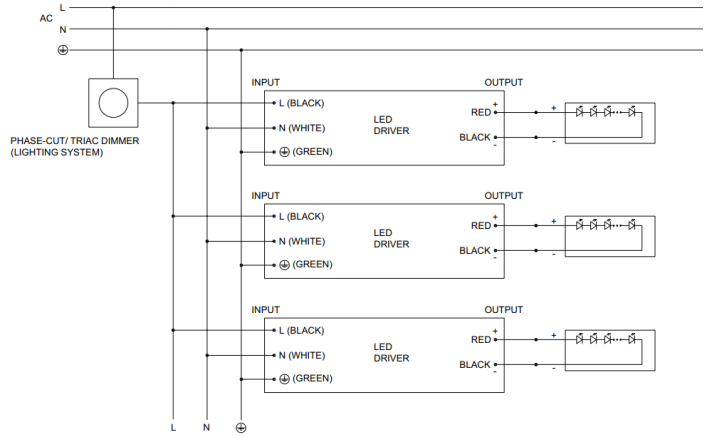
***Notes:**

1. All parameters NOT specially mentioned are measured at 110V/277VAC input , rated load and 25°C of ambient temperature.
2. Ripple & noise are measured at 20MHz of bandwidth by using a 12" twisted pair-wire terminated with a 0.1uf & 47uf parallel capacitor.
3. Tolerance: includes set us tolerance, line regulation and load regulation .
4. Flicker-Free PWM output - does not change the color index

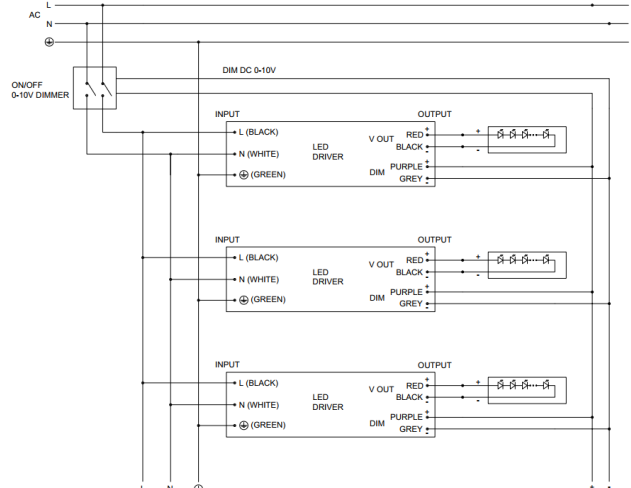
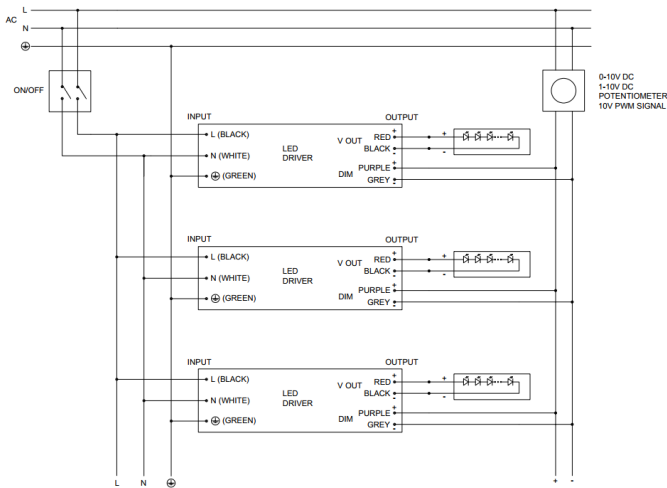
- Input wires Black and White to be connected to AC L and N, Green wire to be connected to ground
- Output wire Red to LED Positive side (+), Black to LED Negative side (-)
- Dimming cable DIM (+) Purple to 0/1-10V dimmer signal(+), DIM (-) Grey to 0/1-10V dimmer signal (-)
- Please make sure you connect these correctly otherwise your product will not function correctly and could be damaged

Using TRIAC/Phase Cut dimming

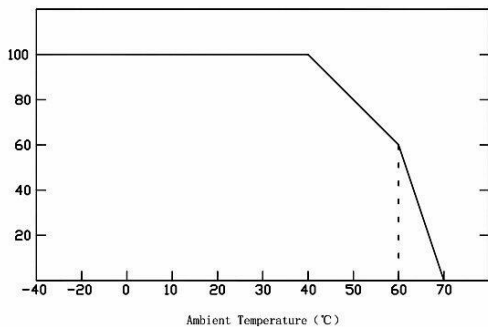
1. The Pulse-Width Modulation (PWM) output voltage can be adjusted through the input terminal of the AC phase line (L) by connecting a phase/TRIAC dimmer (lighting system).
2. Works with forward phase/leading edge, MLV and reverse phase/trailing edge, ELV, and TRIAC dimmers.
3. Please try to use dimmers with power at least 1.5 times the output power of the driver.



Using 1-10 / 1-10V dimming



Derating Curve



Load carried in accordance with the derating curve, according to the ambient temperature, in order to extend the working life.

Instructions

1. This driver should be installed by a qualified and professional person;
2. Make sure the driver is installed with adequate ventilation to allow for heat dissipation;
3. Ensure all wiring is correct before testing in order to avoid light and power supply damage;
4. If the dimmable LED drivers do not perform normally, do not maintain privately. Contact us at: support@glls.com or 1-888-580-6366
5. Websites: www.glls.com or www.ledneonflex.com